

PROPOSED CONSTRUCTION OF GITHONGO STADIUM BOUNDARY WALL

FOR

MERU COUNTY GOVERNMENT

BILL OF QUANTITIES, SPECIFICATIONS AND CONDITIONS OF CONTRACT

TENDER NO.

RUBBER STAMP

Name

Date

Note:

- (a) This quotation is not an order
- (b) Return one copy and retain the other for your records
- (c) Your prices should include V.A.T. where applicable.
- (d) Please countersign for all alterations on this tender form before submission to avoid disqualification.
- (e)

NOV 2016

PROPOSED CONSTRUCTION OF GITHONGO STADIUM BOUNDARY WALL

INDEX TO BILLS OF QUANTITIES

TABLE OF CONTENTS

Item	Description	Page No.
1.	Front Cover	- I
2.	Index to Bills of Quantities	- II
3.	Signature Page	- III
4.	Instruction to Tenders	- IV - XIV
5.	Form of Tender	- XV - XVI
6.	Form of Surety Undertaking	- XVII
7.	Contractor's Performance Bond	- XVIII
8.	Bill No. 1 Particular Preliminaries	- PP/1 - PP/15
9.	Bill No. 2 General Preliminaries	- GP/1 - GP/20
10.	Bill No. 3 Trade Preambles and Pricing Notes	- SS/1 - SS/2
11.	Bill No. 4 Builder's Work	- BW/1 – BW/17
12.	Bill No. 5 P. C. and Provisional Sums	- PCPS/1
13.	Bill No. 6 Grand Summary	- GS/1

FORM OF AGREEMENT

SUPPLIED AS PART OF THE CONTRACT FOR THE **PROPOSED CONSTRUCTION OF
GITHONGO STADIUM BOUNDARY WALL**

Prepared and issued by :-

**County Quantity Surveyor,
Meru County Government**

The Contract for the above works entered into on the day of
year, by the undersigned parties refers to these Bills of Quantities consisting
of those pages numbered on the index page (ii) which shall be read and construed as part of
the said contract.

Signed (Employer).....Date.....
(Authorised signatory)

Signed (Contractor).....Date.....
(Authorised signatory)

SIGNATURE PAGE

INSTRUCTIONS TO TENDERERS :

1. 1. General

- 1.1. The Employer invites tenders for Works Contract as described in the tender documents. The successful tender will be expected to complete the Works by the Intended Completion Date specified in the tender documents.
- 1.2. All Tenderers shall provide the Qualification Information, a Statement that the Tenderer [including all members of a joint venture and sub-contractors] is not associated, or has not been associated in the past, directly or indirectly, with the Consultant or any other entity that has prepared the design, specifications, and other documents for the project or being proposed as Project Manager for the Contract. A firm that has been engaged by the Employer to provide consulting services for the preparation or supervision of the Works, and any of its affiliates, shall not be eligible to tender.
- 1.3. In the event that pre-qualification of potential Tenderers has been undertaken, only tenders from pre-qualified tenderers will be considered for award of Contract. These qualified tenderers should submit with their tenders any information updating their original pre-qualification applications or, alternatively, confirm in their tenders that the originally submitted pre-qualification information remains essentially correct as of the date of tender submission.
- 1.4. Where no pre-qualification of potential tenderers has been done, all tenderers shall include the following information and documents with their tenders, unless otherwise stated :-
 - a) copies of original documents defining the constitution or legal status, place of registration, and principal place of business ; written power of attorney of the signatory of the tender to commit the tenderer :
 - b) total monetary value of construction work performed for each of the last five [5] years.
 - c) experience in works of similar nature and size for each of the last five [5] years, and details of work under way or contractually committed : and names and addresses of Clients who may be contacted for further information on these Contracts :
 - d) major items of construction equipment proposed to carry out the Contract and an undertaking that will be available for the Contract.
 - e) qualifications and experience of key site management and technical personnel proposed for the contract and an undertaking that they shall be available for the Contract.

- f) reports on the financial standing of the tenderer, such as profit and loss statements and auditor's reports for the past five [5] years :
- g) evidence of adequacy of working capital for this Contract [access to line (s) of credit and availability of other financial resources] :
- h) authority to seek references from the tenderer's bankers :
- i) information regarding any litigation, current of during the last five [5] years, in which the tenderer is involved, the parties concerned and disputed amount : and
- j) proposals for sub-contracting components of the Works amounting to more than 10 percent of the Contract Price.

1.5. Tenders submitted by a joint venture of two or more firms as partners shall comply with the following requirements, unless otherwise stated :

- a) the tender shall include all the information listed in Clause 1.4 above for each joint venture partner.
- b) the tender shall be signed so as to be legally binding on all partners :
- c) all partners shall be jointly and severally liable for the execution of the Contract in accordance with the Contract terms :
- d) one of the partners will be nominated as being in charge, authorised to incur liabilities, and receive instructions for and on behalf of all partners of the joint venture ; and
- e) the execution of the entire Contract, including payment, shall be done exclusively with the partner in charge.

1.6. To qualify for award of the Contract, tenderers shall meet the following minimum qualifying criteria :

- a) annual volume of construction work of at least 1.5 times the estimated annual cash flow of the contract :
- b) experience as Main contractor in the construction of at least two works of a nature and complexity equivalent to the Works over the last five years [to comply with this requirement, works cited should be at least 70 percent complete] :
- c) proposals for the timely acquisition [own, lease, hire, etc.] of the essential equipment listed as required for the Works :

- d) a Contract Manager with at least five years' experience in works of an equivalent nature and volume, including no less than three years as Manager :
and
 - e) liquid assets and / or credit facilities, net of other contractual commitments and exclusive of any advance payments which may be made under the Contract, of no less than 4 months of the estimated payment flow under this Contract.
- 1.7. The figures for each of the partners of a joint venture shall be added together to determine the tenderer's compliance with the minimum qualifying criteria of clause 1.6 (a) and (e) ; however, for a joint venture to qualify, each of its partners must meet at least 25 percent of minimum criteria 1.6 (a), (b) and (e) for an individual tenderer, and the partner in charge at least 40 percent of those minimum criteria. Failure to comply with this requirement will result in rejection of the joint venture's tender. Sub-contractors' experience and resources will not be taken into account in determining the tenderer's compliance with the qualifying criteria, unless otherwise stated.
- 1.8. Each tenderer shall submit only one tender, either individually or as a partner in a joint venture. A tenderer who submits or participates in more than one tender [other than as a Sub-contractor or in cases of alternatives that have been permitted or requested] will cause all the proposals with the tenderer's participation to be disqualified.
- 1.9. The tenderer shall bear all costs associated with the preparation and submission of his tender, and the employer will in no case be responsible or liable for those costs.
- 1.10. The Tenderer, at the tenderer's own responsibility and risk, is encouraged to visit and examine the Site of the Works and its surroundings, and obtain all information that may be necessary for preparing the tender and entering into a Contract for construction of the Works. The costs of visiting the Site shall be at the tenderer's own expense.

2. **Tender Documents**

- 2.1 The complete set of tender documents comprises the documents listed below and any addenda issued in accordance with Clause 2.4.
- a) These instructions to Tenderers
 - b) Form of Tender and Qualification Information
 - c) Conditions of Contract
 - d) Appendix to Conditions of Contract
 - e) Specifications
 - f) Drawings
 - g) Bills of Quantities
 - h) Forms of Securities
- 2.2 The tenderer shall examine all instructions, Forms to be filled and specifications in the Tender documents. Failure to furnish all information required by the tender documents, or submission of a tender not substantially responsive to the tendering documents in every respect will be at the tenderer's risk and may result and may result in rejection of his tender.
- 2.3 A prospective tenderer requiring any clarification of the tendering documents may notify the Employer in writing or by cable, telex or facsimile at the address indicated in the letter of invitation to tender. The Employer will only respond to requests for clarification received earlier than seven days prior to the deadline for submission of tenders. Copies of the Employer's response will be forwarded to all persons issued with tendering documents, including a description of the inquiry, but without identifying its source.
- 2.4 Before the deadline for submission of tenders, the Employer may modify the tendering documents by issuing addenda. Any addendum thus issued shall be part of the tendering documents and shall be communicated in writing or by cable, telex or facsimile to all tenderers. Prospective tenderers shall acknowledge receipt of each addendum in writing to the Employer.
- 2.5 To give prospective tenderers reasonable time in which to take an addendum into account in preparing their tenders, the Employer shall extend, as necessary, the deadline for submission of tenders, in accordance with Clause 4.2 herebelow.

3. **Preparation of Tenders**

- 3.1 All documents relating to the tender and any correspondence shall be in English language.
- 3.2 The tender submitted by the tenderer shall comprise the following :
- a) The Instructions to Tenderers, Form of Tender, Conditions of Contract, Appendix to Conditions of Contract and Specifications :

- b) Tender Security :
 - c) Priced Bills of Quantities :
 - d) Qualification Information Form and Documents :
 - e) Alternative offers where invited : and
 - f) Any other materials required to be completed and submitted by the tenderers.
- 3.3 The Tenderer shall fill in rates and prices for all items of the Works described in the Bills of Quantities. Items for which no rate or price is entered by the tenderer will not be paid for when executed and shall be deemed covered by the other rates and prices in the Bills of Quantities. All duties, taxes, and other levies payable by the Contractor under this Contract, or for any other cause relevant to the Contract, as of 30 days prior to the deadline for submission of tenders, shall be included in the tender price submitted by the Tenderer.
- 3.4 The rates and prices quoted by the tenderer shall only be subjected to adjustment during the performance of the Contract if provided for in the appendix to Conditions of Contract and provisions made in the Conditions of Contract.
- 3.5 The unit rates and prices shall be in Kenya shillings.
- 3.6 Tenders shall remain valid for a period of **120 days** from the date of submission. However in exceptional circumstances, the Employer may request that the tenderers extend the period of validity for a specified additional period. The request and the tenderer's responses shall be made in writing. A tenderer may refuse the request without forfeiting the Tender Security. A tenderer agreeing to the request will not be required or permitted to otherwise modify the tender, but will be required to extend the validity of Tender Security for the period of the extension, and in compliance with Clause 3.7 - 3.11 in all respects.
- 3.7 The tenderer shall furnish, as part of the tender, a Tender Security for the amount specified in the invitation to tender. This shall be in the form of a Bank draft or a bank guarantee from an established and reputable bank approved by the Employer.
- 3.8 The format of the Tender Security should be in accordance with the form of Tender Security included in Section G – Standard Forms or any other form acceptable to the Employer. Tender Security shall be valid for 30 days beyond the validity of the tender.
- 3.9 Any tender not accompanied by an acceptable Tender Security shall be rejected. The Tender Security of a joint venture must define as “Tenderer” all joint venture partners and list them in the following manner : a joint venture consisting of” and “.....”
- 3.10 The Tender Securities of unsuccessful tenderers will be returned within 28 days of the end of the tender validity period specified in Clause 3.6.

- 3.11 The Tender Security of the successful tenderer will be discharged when the tenderer has signed the Contract Agreement and furnished the required Performance Security.
- 3.12 The Tender Security may be forfeited.
- a) if the tenderer withdraws the tender after tender opening during the period of tender validity :
 - b) If the tenderer does not accept the correction of the tender price, pursuant to Clause 5.7 :
 - c) In the case of a successful tenderer, if the tenderer fails within the specified time limit to :-
 - i) Sign the Agreement or
 - ii) Furnish the required Performance Security
- 3.13 Tenderers shall submit offers that comply with the requirements of the tendering documents, including the basic technical design as indicated in the Drawings and Specifications. Alternatives will not be considered, unless specifically allowed in the invitation to tender. If so allowed, tenderers wishing to offer technical alternatives to the requirements of the tendering documents must also submit a tender that complies with the requirements of the tendering documents, including the basic technical design as indicated in the Drawings and Specifications. In addition to submitting the basic tender, the tenderer shall provide all information necessary for a complete evaluation of the alternative, including design calculations, technical specifications, breakdown of prices, proposed construction methods and other relevant details. Only the technical alternatives, if any, of the lowest evaluated tender conforming to the basic technical requirements shall be considered.
- 3.14 The tenderer shall prepare one original of the documents comprising the tender documents as described in Clause 3.2 of these Instructions to Tenderers, bound with the volume containing the Form of Tender ,
- 3.15 The original and all copies of the tender shall be typed or written in indelible ink and shall be signed by a person or persons duly authorized to sign on behalf of the tenderer, pursuant to Clause 1.5 (a) or 1.6 (b), as the case may be. All pages of the tender where alterations or additions have been made shall be initialed by the person or persons signing the tender.

4. **Submission of Tenders**

- 4.1 The tenderer shall seal the tender document one envelope which shall :
- a) be addressed to the Employer at the address provided in the invitation to tender :
 - b) bear the name and identification number of the Contract as defined in the invitation to tender : and
 - c) provide a warning not to open before the specified time and date for tender opening.
- 4.2 Tenders shall be delivered to the Employer at the address specified above not later than the time and date specified in the invitation to tender. However, the Employer may extend the deadline for submission of tenders by issuing an amendment in accordance with Sub-clause 2.5 in which case all rights and obligations of the Employer and the tenderers previously subject to the original deadline will then be subject to the new deadline.
- 4.3 Any tender received after the deadline prescribed in Clause 4.2 will be returned to the tenderer un-opened.
- 4.4 Tenderers may modify or withdraw their tenders by giving notice in writing before the deadline prescribed in Clause 4.2. Each tenderer's modification or withdrawal notice shall be prepared, sealed, marked,
- and delivered in accordance with Clause 3.13 and 4.1, with the outer and inner envelopes additionally marked "**MODIFICATION**" and "**WITHDRAWAL**", as appropriate. No tender may be modified after the deadline for submission of tenders.
- 4.5 Withdrawal of a tender between the deadline for submission of tenders and the expiration of the period of tender validity specified in the invitation to tender or as executed pursuant to Clause 3.6 may result in the forfeiture of the Tender Security pursuant to Clause 3.11.
- 4.6 Tenderers may only offer discounts to, or otherwise modify the prices of their tenders, by submitting tender modifications in accordance with Clause 4.4 or be included in the original tender submission.

5. Tender Opening and Evaluation

- 5.1 The tenders will be opened by the Employer, including modifications made pursuant to Clause 4.4, in the presence of the Tenderers' representatives who choose to attend at the time and in the place specified in the invitation to tender. Envelopes marked "WITHDRAWAL" shall be opened and read out first. Tenderer's and Employer's representatives who are present during the opening shall sign a register evidencing their attendance.
- 5.2 The tenderers' names, the tender prices, the total amount of each tender and of any alternative tender [if alternatives have been requested or permitted], any discounts, tender modifications and withdrawals, the presence or absence of Tender Security, and such other details as may be considered appropriate, will be announced by the Employer at the opening. Minutes of the tender opening, including the information disclosed to those present will be prepared by the Employer.
- 5.3 Information relating to the examination, clarification, evaluation, and comparison of tenders and recommendations for the award of Contract shall not be disclosed to tenderers or any other persons not officially concerned with such process until the award to the successful tenderer has been announced. Any effort by a tenderer to influence the Employer's officials, processing of tenders or award decisions may result in the rejection of his tender.
- 5.4 To assist in the examination, evaluation, and comparison of tenders, the Employer at his discretion, may ask any tenderer for clarification of the tender, including breakdowns of unit rates, for clarification and the response shall be in writing or by cable, telex, or facsimile but no change in the price or substance of the tender shall be sought, offered, or permitted except as required to confirm the correction of arithmetic errors discovered in the evaluation of the tenders in accordance with Clause 5.7.
- 5.5 Prior to the detailed evaluation of tenders, the Employer will determine whether each tender (a) meets the eligibility criteria defined :
- in clause 1.7 (b) has been properly signed ; (c) is accompanied by the required securities : and (d) is substantially responsive to the requirements of the tendering documents. A substantially responsive tender is one which conforms to all the terms, conditions and specifications of the tendering documents, without material deviation or reservation. A material deviation or reservation is one (a) which affects in any substantial way the scope, quality, or performance of the works : (b) which limits in any substantial way, inconsistent with the tendering documents, the Employer's rights or the tenderer's obligations under the Contract : or (c) whose rectification would affect unfairly the competitive position of other tenderers presenting substantially responsive tenders.
- 5.6 If a tender is not substantially responsive, it will be rejected, and may not subsequently be made responsive by correction or withdrawal of the non-confirming deviation or reservation.

- 5.7 Tenders determined to be substantially responsive will be checked for any arithmetic errors.
- a) where there is a discrepancy between the amount in figures and the amount in words, the amount in words will prevail : and
 - b) where there is a discrepancy between the unit rate and the line item total resulting from multiplying the unit rate by the quantity, the unit rate as quoted will prevail, unless in the opinion of the Employer, there is an obvious typographical error, in which case the adjustment will be made to the entry containing that error.
 - c) in the event of discrepancy between the tender amount as stated in the Form of Tender and the corrected tender figure in the main summary of the Bill of Quantities, the amount as stated in the Form of Tender shall prevail.
 - d) the Error Correction Factor shall be computed by expressing the difference between the tender amount and the corrected tender sum as a percentage of the corrected Builder's Work [i.e. Corrected tender sum less P.C. and Provisional Sums].
 - e) the Error Correction Factor shall be applied to all Builder's Work [as a rebate or addition as the case may be] for the purposes of valuations for Interim Certificates and Valuation of Variations.
 - f) the amount stated in the tender will be adjusted in accordance with the above procedure for the correction of errors and, with concurrence of the tenderer, shall be considered as binding upon the tenderer. If the tenderer does not accept the corrected amount, the tender may be rejected and the tender Security may be forfeited in accordance with Clause 3.11.
- 5.8 The Employer will evaluate and compare only the tenders determined to be substantially responsive in accordance with Clause 5.5.
- 5.9 In evaluating the tenders, the Employer will determine for each tender the evaluated tender price by adjusting the tender price as follows :-
- a) making any correction for errors pursuant to Clause 5.7 :
 - b) excluding Provisional Sums and the Provision, if any, for Contingencies in the Bill of Quantities, but including Dayworks where priced competitively.
 - c) making an appropriate adjustment for any other acceptance variations, deviations, or alternative offers submitted in accordance with Clause 3.12 : and
 - d) making appropriate adjustments to reflect discounts or other price modifications offered in accordance with Clause 4.6.

- 5.10 The employer reserves the right to accept or reject any variation, deviation, or alternative offer. Variations, deviations, and alternative offers and other factors which are in excess of the requirements of the tender documents or otherwise result in unsolicited benefits for the Employer will not be taken into account in tender evaluation.
- 5.11 The tenderer shall not influence the Employer on any matter relating to his tender from the time of the tender opening to the time the Contract is awarded. Any effort by the Tenderer to influence the Employer or his Employees in his decision on tender evaluation, tender comparison or Contract award may result in the rejection of the tender.
- 5.12 Firms incorporated in Kenya where indigenous Kenyans own 51 % or more of the share capital shall be allowed a 10 % preferential bias provided that they do not sub-contract work valued more than 50 % of the Contract Price excluding Provisional Sums to a non – indigenous Sub-contractor.

6. Award of Contract

- 6.1 Subject to Clause 6.2, the award of the Contract will be made to the tenderer whose tender has been determined to be substantially.

Responsive to the tendering documents and who has offered the lowest evaluated tender price, provided that such tenderer has been determined to be (a) eligible in accordance with the provision of Clauses 1.2, and (b) qualified in accordance with the provisions of Clause 1.7 and 1.8.

- 6.2 Notwithstanding Clause 6.1 above, the Employer reserves the right to accept or reject any tender, and to cancel the tendering process and reject all tenders, at any time prior to the Award of Contract, without thereby incurring any liability to the affected tenderer or tenderers or any obligation to inform the affected tenderer or tenderers of the grounds for the action.

- 6.3 The tenderer whose tender has been accepted will not be notified of the award prior to expiration of the tender validity period in writing or by cable, telex or facsimile. This notification [hereinafter and in all Contract documents called the “Contract Price”] that the Employer will pay the Contractor in consideration of the execution, completion, and maintenance of the Works by the Contractor as prescribed by the Contract.

The notification of award will constitute the formation of the Contract, subject to the tenderer furnishing the Performance Security in accordance with Clause 6.6. and signing the Agreement in accordance with Clause 6.4.

- 6.4 The Agreement will incorporate all agreements between the Employer and the successful tenderer. It will be signed by the Procuring Entity and sent to the successful tenderer, within 30 days following the notification of award. Within 21 days of receipt the successful tenderer will sign the Agreement and return it to the Employer.
- 6.5 Within 21 days after receipt of the Letter of Acceptance, the successful tenderer shall deliver to the Employer a Performance Security in the amount stipulated in the Appendix to Conditions of Contract and in the form stipulated in the Tender Documents. The Performance Security shall be in the Form of a Bank Guarantee, and shall be issued at the tenderer's option, by a reputable bank located in Kenya and acceptable to the employer.
- 6.6 Failure of the successful tenderer to comply with the requirements of Clause 6.5 shall constitute sufficient grounds for cancellation of the Award and forfeiture of the Tender Security.
- 6.7 Upon the furnishing by the successful tenderer of the Performance Security, the Employer will promptly notify the other tenderers that their tenders have been unsuccessful.

FORM OF TENDER

**TENDER FOR THE PROPOSED CONSTRUCTION OF GITHONGO STADIUM BOUNDARY
WALL**

Having visited the site and examined the Tender Documents for the execution of the above works, we the undersigned are willing to Contract and perform fully, the whole of the said works in accordance with the said Bills of Quantities, Specifications and Conditions of Contract and to enter into a Contract and complete the whole of the works within the time stated in this Form of Tender.

Our Tender figure including all Preliminaries , P. C. Sums, Provisional Sums, Contingencies, V.A.T. and based on a fixed price contract amounts to ;-

Kenya Shillings (Words)

.....
.....

Kshs. (figure)

Signature of Tenderer.....

Name of Tenderer.....

Address of Tenderer.....

Form of Tender (Cont'd)

TIME FOR COMPLETION

Further we the undersigned, agree to complete the whole of the works within the time stated below from the date of possession of the site as defined within the Conditions of Contract.

Words : (Calender Weeks)

Figures :(Calender Weeks)

TENDER VALIDITY PERIOD

Further we, the undersigned, agree that unless and until a formal agreement is executed, this Tender together with your acceptance thereof, shall constitute a binding Contract between us, and this Tender shall remain a valid offer for One Hundred and Twenty (120) days.

EXAMINATION OF TENDER DOCUMENTS

Further we, the undersigned, have examined all the drawings detailed previously which will form part of this Contract, together with the instructions to Tenderers, and we have no further questions relating to them and we have personally signed each document as identification.

Further we, the undersigned understand that the lowest, or any portion of any tender will not necessarily be accepted nor will any expense incurred by the Tenderer in the preparation of this Tender be allowed. Further the Employer reserves the right to award whole or portion of the tenders and to supply only materials or equipment as he may deem fit.

Signature of Tenderer.....

Name of Tenderer.....

Address of Tenderer.....

FORM OF TENDER

FORM OF SURETY UNDERTAKING

In the event of.....
..... (TENDERER) of
.....(ADDRESS) being awarded the Contract
for the PROPOSED CONSTRUCTION OF GITHONGO STADIUM BOUNDARY WALL

We.....
.....(SURETY)
of.....(ADDRESS)

hereby undertake to provide a guarantee in the Form of Performance Bond supplied with these Tender Documents, under seal if required for the due performance of the Contract to the extent of ten percent (10%) of the Tender Sum submitted
by.....

.....(TENDERER
should the said(TENDERER)

not be awarded the Contract it is understood that his offer shall become null and void.

Signed for and on behalf of Surety.....

NAME (Block Letters)

Address

Date

FORM OF SURETY UNDERTAKING

CONTRACTOR'S PERFORMANCE BOND

BY THIS AGREEMENT, we(SURETY)

Of

.....

Are bound to(EMPLOYER)

In the Sum of Kenya Shillings

.....

.....(Kshs.)

to be paid by us to the said(EMPLOYER)

WHEREAS by an agreement in writing dated

.....

.....(CONTRACTOR)

entered into contract with(EMPLOYER)

to carry out and complete the works therein stated in the manner and by the time therein specified all in accordance with the provisions of the said contract, namely ; (description of Works).

.....

....

NOW the condition of the above written bond is such that if the said Contractor his executors, administrators, successors or assigns shall duly perform his obligations under the contract, or if on default by the Contractor the Surety shall satisfy and discharge the damages sustained by the Employer thereby up to the amount of the above written bond, then this bond shall be void, otherwise is shall remain in full force and effect. Upon default, and without prejudice to his other rights under the contract, the Employer shall be entitled to demand forfeiture of the bond and we undertake to honour the demand in the amount stated above.

PROVIDED always and it is hereby agreed and declared that no alteration in the terms of the said contract or in the extent or nature of the works to be carried out and no extension of time by the Architect under the contract shall in any way release the Surety from any liability under the above written bond.

IN WITNESS whereof we have set our hands thisday of

.....

.....

.....

Surety

Witness

Authorised by the Power of Attorney No.

BILL NO. 1

PARTICULAR PRELIMINARIES

ITEM NO.	DESCRIPTION	SHS.	CTS
	<p><u>DEFINITION OF TERMS</u></p> <p>A. EMPLOYER</p> <p>The term “Employer” wherever used in these Bills of Quantities and in all other Contract Documents shall mean MERU COUNTY GOVERNMENT</p> <p>B. ARCHITECT</p> <p>The term “Architect” wherever used hereinafter and in all other Contract Documents shall mean Messrs. County Architect</p> <p>C. QUANTITY SURVEYOR</p> <p>The term “Quantity Surveyor ” wherever used hereinafter and in all other Contract Documents shall mean County Quantity Surveyor</p> <p>STRUCTURAL ENGINEERS</p> <p>D. The term “ Structural / Civil Engineers” wherever used hereinafter and in all other Contract Documents shall mean County Engineer</p> <p>ELECTRICAL / MECHANICAL ENGINEER</p> <p>E. The term “Electrical / Mechanical Engineer” wherever used hereinafter and in all other Contract Document shall mean County Electrical/Mechanical Engineer</p> <p>Total carried to collection</p>		
	PP/1		

ITEM NO.	DESCRIPTION	SHS.	CTS
A.	<p>DESCRIPTION OF SITE</p> <p>The sites of the works are situated within Meru County.</p> <p>THE WORKS</p>		
B.	<p>The works consists of construction of a boundary wall and pit latrines as described as detailed in the Architects Drawings.</p>		
	<p>CONTRACTOR</p>		
C.	<p>The term “Contractor” wherever used hereinafter and in all other Contract Document shall mean the person or persons, partnership firm or Company whose Tender of Works hereinafter defines has been accepted by the Employer and who has, or have signed this Contract and shall include his or their heirs, executors, administrators, assignees, successors and duly appointed representative (s)</p>		
	<p>EMPLOYER’S / CLIENT’S REPRESENTATIVE</p>		
D.	<p>Wherever the term “Project Manager” as defined above is used in all Contract Documents, it shall be deemed to mean the “Employers representative”. It shall include such other persons as they may duly authorize to represent them on behalf of the Employer or other Successor in Office of such persons as may be deputed by such representatives to act on their behalf for the purpose of this Contract</p>		
	<p>Total carried to collection</p>		
	<p>PP/2</p>		

ITEM NO.	DESCRIPTION	SHS.	CTS
A.	<p>SITE</p> <p>The term “the Site” wherever used hereinafter and in all Contract Documents shall mean the lands and other places on, under or through which the works are to be executed or carried out and any other lands or places provided by the Employer for the purpose of the Contract. The Contractor is advised to visit the site and will be deemed to have acquainted himself with regard to the nature and position, means of access, risk of injury or damage to existing property, conditions under which the work will have to be carried out, the supply of and conditions affecting labour and the facilities for obtaining the articles of materials referred to in these Bills of Quantities.</p> <p>No claim by the Contractor will be allowed on the grounds of any such matter or otherwise. The Contractor must obtain the approval of the Architect regarding the use of any materials found on site.</p>		
B.	<p>SINGULAR AND PLURAL</p> <p>Words importing the Singular only shall also include Plural and vice versa where the context requires.</p>		
C.	<p>THE WORKS</p> <p>The term “the Works” wherever used hereinafter and in all Contract Documents shall mean all or any portions of the Works as described, materials and articles wherever the same are being manufactured or prepared which are to be used in the execution of this Contract, and whether the same be on Site of the Works or not.</p> <p>The term “the Works” shall also be deemed to include the works of all Sub-Contractors and variation in accordance with the terms of this contract. The works also include plumbing and drainage, electrical and mechanical installations.</p> <p>Total carried to collection</p>		
	PP/3		

ITEM NO.	DESCRIPTION	SHS.	CTS
A.	<p>CONDITIONS OF CONTRACT</p> <p>The Contractor will be required to enter into a Contract with the Employer under the terms of the Agreement and Conditions of Contract for Building Works (April, 1999 Edition) published by the Joint Building Council , Kenya with the sanction of Architectural Association of Kenya and the Kenya Association of Building and Civil Engineering Contractors, copies of which may be inspected at the Consultant Quantity Surveyor's Office by appointment during normal working hours.</p> <p>If the Contractor considers that compliance with any of the Conditions of Contract of which is not included elsewhere in his prices, he shall set down opposite any such condition the value he attaches thereto.</p> <p>Particulars of insertions to be made in the Appendix of the contract Agreement will be found in the particular preliminaries of this Bills of Quantities</p> <p><u>CLAUSE NO.</u></p> <ul style="list-style-type: none"> 1.0 Definitions 2.0 Articles of Agreement 3.0 General Obligations of the Employer 4.0 General Obligations of Contractor 5.0 General Obligations of Architect 6.0 General Obligations of the Quantity Surveyor 7.0 Contract Documents 8.0 Contract Bills and Contract price <p><u>Note :</u></p> <p>These Bills of Quantities shall be deemed to generally follow principles laid down in the Standard Method of Measurements of Building Works for the Republic of Kenya, Second Edition Metric, dated January, 1987, with the following exceptions : Clause D 18 (a) and (b) of the Standard Method of Measurement shall be deleted and the following wording substituted 'keeping excavations free from all water including spring and running water shall be given as an item'.</p> <p>In certain case in these Bills of Quantities the Contractor may be required to quote all-inclusive composite unit prices for groups of items or elements of the works. Such composite unit prices shall be used for the adjustments of variations in the relevant sections of the works.</p> <p>Total carried to collection</p> <p style="text-align: center;">PP/4</p>		

ITEM NO.	DESCRIPTION	SHS.	CTS
	<p>Any unauthorized alteration or qualifications made to the text of these Bills of Quantities will be ignored and may cause the tender to be disqualified.</p> <p>The Contractor will be deemed to have made an allowance in his prices generally to cover items of preliminaries, expenses in connection with Prime Cost (P. C.) Sums or other items, if these have not been priced against the respective items.</p> <p>Quantities given as “Provisional” or “All Provisional” in these Bills shall be held neither to gauge nor limit the amount or description of the work to be executed by the Contractor but the values thereof shall be deducted from the Contract Sum and the value of the work ordered by the Architect and executed thereunder shall be ascertained as provided by Clause 30 of the Conditions. All items of measured work shall be priced in detail for material, labor and fixing. Tenders containing lump sums to cover trades of group of work must be broken down to show the price of each item before they will be accepted, unless the work has been so measured.</p> <p>Lump sums to cover any items of preliminaries shall also be broken down if so required. The preamble clauses or headings to any bill, element, section or sub-section are to apply equally to all other bills, elements, section or sub-section.</p> <p style="padding-left: 40px;">9.0 Contractor’s site agent and other staff 10.0 Clerk of works 11.0 Liability against injury to persons and property. 12.0 Insurance against injury to person and property.</p> <p>Note : The Contractor shall allow for maintaining insurance cover in the joint names of the Employer, to the value of Shillings One Million (Ksh.1,000,000.00) for any one accident or series of accidents arising out of any one event (Value unlimited in aggregate) and shall cause any Sub-Contractor to maintain proportionate cover to cover their respective liabilities in respect of injury or damage to property, real or personal arising out of or in the course of or by reason of the carrying out of the works and caused by any negligence, omission or default of the Contractor, his Servants or Agents, or as the case may be of such Sub-contractor, his servants or agents.</p> <p>Total carried to collection page</p> <p style="text-align: center;">PP/5</p>		

ITEM NO.	DESCRIPTION	SHS.	CTS
	<p data-bbox="464 230 1214 264">13.0 Insurance of the works (Contractor’s Liability)</p> <p data-bbox="464 304 1203 371">14.0 Insurance of the works (Employer’s Liability) shall be deleted</p> <p data-bbox="464 414 1203 481">15.0 Insurance of the works (Works of Alterations) shall be deleted</p> <p data-bbox="464 521 831 555">16.0 Performance bond</p> <p data-bbox="464 595 1126 629">17.0 Compliance with regulations, notices etc.</p> <p data-bbox="301 669 1257 925">Note : The Contractor shall allow for paying all legally demandable fees, rates (excluding land rates) or taxes including those for hoarding, and temporary buildings and no adjustments of the Contract Sum will be made in respect of such payment unless expressly stated to the contrary in the Bills of Quantities. The Contractor shall apply for, provide all transport necessary for and pay all costs and charges in connection with occupation certificate to be provided by the Architect.</p> <p data-bbox="327 956 679 990">18.0 Programme of Works</p> <p data-bbox="327 1030 675 1064">19.0 Access to the Works</p> <p data-bbox="327 1104 1023 1137">20.0 Possession of site and commencement of works</p> <p data-bbox="327 1178 722 1211">21.0 Leveling and setting out</p> <p data-bbox="327 1252 719 1285">22.0 Architect’s instructions</p> <p data-bbox="327 1326 1090 1359">23.0 Specifications of goods, materials and workmanship</p> <p data-bbox="301 1400 384 1433">Note :</p> <p data-bbox="301 1473 1262 1615">All materials, goods and workmanship shall be strictly in accordance with these Bills of Quantities and the Contractor’s prices must include for all expenses involved in carrying out the works strictly in accordance herewith.</p> <p data-bbox="301 1765 639 1798">Total carried to collection</p>		

ITEM NO.	DESCRIPTION	SHS.	CTS
	<p>24.0 Samples and Tests</p> <p>The Contractor shall allow for furnishing, at his own cost any samples of materials or workmanship that may be called for by the Architect for his approval, and any further samples in the case of rejection until such samples are approved by the Architect and the Architect may reject any materials or workmanship not in his opinion in accordance with the approved samples.</p> <p>The Architect shall make such tests of the samples or any materials as he may at his discretion deem desirable, but such tests shall be made at the expense of the Employer and not of the Contractor, unless the result causes the Architect to reject any samples or materials as not being in his opinion in accordance with the specified requirements, in which case the Contractor shall pay for such tests and the cost thereof shall be recovered from the Contractor by the Architect by deduction from the Contract Sum.</p> <p>Materials of any kind obtained from demolition or excavations on the site shall remain the property of the Employer. Such materials shall be dealt with as provided by the Contract but the Architect shall have the power to direct its use in the works if the Contract does not already so provide. When the Employer's property is permitted to be used in substitution for material which the Contractor would otherwise have furnished at his own cost he shall make due allowance therefore at a price to be agreed.</p> <p>25.0 Royalties and patent rights</p> <p>26.0 Assignment</p> <p>27.0 Subletting</p> <p>28.0 Suspension of the Works by the Architect</p> <p>29.0 Suspension of the Works by the Contractor</p> <p>30.0 Variations</p> <p>Total carried to collection</p> <p style="text-align: center;">PP/7</p>		

ITEM NO.	DESCRIPTION	SHS.	CTS
	<p>Note : The Contractor shall submit to the Architect claims for any work or circumstance on account of which he may consider that he is entitled to extra payment within seven days from the time of commencement of such work or occurrence of such circumstances. Any such claim must be in writing accompanied by full particulars and must state under which provision of the Contract it is claimed that payment shall be made. The Contractor shall further notify the Architect of such intended claims before commencement of the works.</p> <p>All ‘Provisional’ and other work liable to adjustment under this Contract shall be left uncovered for a reasonable time to allow all measurements needed for such adjustment to be taken by the Quantity Surveyor. Immediately the work is ready for measuring, the Contractor shall give notice to the Quantity Surveyor.</p> <p>If the Contractor makes default in these respect, he shall, if the Architect so directs, uncover the work to enable measurements to be taken and afterwards reinstate all at his own expense.</p> <p style="text-align: center;">31.0 Nominated Sub – Contractors</p> <p>Note :</p> <p>All specialists or other who are nominated by the Architect are hereby declared nominated Sub-contractors employed by the Contractor and shall enter into a Contract with the Contractor upon the terms and conditions of clause 31.0 of the Conditions of Contract and on the Standard “Agreement and Schedule of Conditions of Building Sub-contract” form published by the Kenya Association of Building and Civil Engineering Contractors. The Contractor must incorporate therein conditions approved by the Architect and if he fails to do so must accept full responsibility for any omissions, delays, bad workmanship, claims or expenses arising from the absence of such Sub-contractor. The sub-contract must cover such matter as payments on accounts, retention sums, Performance Bond, maintenance period, facilities, dates for completion of each portion of the works together with a liquidated and ascertained damages Clause in the event of non – completion and indemnity of the Contractor against any claims arising out of the misuse by any such Sub-contractor or his workmen of any scaffold erected or plant employed by the Contractor, or that may be made against the Contractor in</p> <p>Total carried to collection</p> <p style="text-align: center;">PP/8</p>		

ITEM NO.	DESCRIPTION	SHS.	CTS
	<p>consequence of any act, omission or default of the Sub-contractor, his servants or agent, or in respect of injury to workmen employed by the Sub-contractor.</p> <p>Notwithstanding Clause 31.5.7. the Employer reserves the right to make direct payment to nominated Sub-contractor.</p> <p style="padding-left: 40px;">32.0 Nominated Suppliers</p> <p style="padding-left: 40px;">33.0 Work by Other Persons engaged by the Employer</p> <p style="padding-left: 40px;">34.0 Payments (34.15 shall be deleted)</p> <p>Note :</p> <p>When applying for a Certificate and to expedite its issue, the Contractor will be required to furnish the Quantity Surveyor with a detailed approximate statement of the works (main and subcontractors) executed and off all the materials on site.</p> <p>The Contractor and Nominated Sub-Contractor and Suppliers are permitted to deliver materials and goods to or adjacent to works in advance of their requirements on site. The Contractor is reminded that he is responsible for providing storage facilities for his own and Nominated Suppliers of materials and space for storage of nominated Sub-contractors materials and such storage requirements must take into account such premature deliveries.</p> <p style="padding-left: 40px;">35.0 Fluctuations (This shall not apply and shall be deleted in full)</p> <p>Note</p> <p>This is a fixed – price Contract and the Contractor must allow in his tender for any increase in the cost of labour and / or materials during the duration of the Contract. No claim for increased cost arising from fluctuations in materials, labour, duties, government taxes or day to day currency fluctuations will be allowed.</p> <p>The Contractor will be deemed to have allowed in his tender for any increase in the cost of materials which may arise as a result of currency fluctuations during the Contract Period.</p> <p>Total carried to collection</p>		

ITEM NO.	DESCRIPTION	SHS.	CTS
	<p data-bbox="411 230 746 264">36.0 Extension of Time</p> <p data-bbox="411 304 1166 376">37.0 Loss and expense caused by disturbance of regular progress of the works.</p> <p data-bbox="411 416 1078 450">38.0 Termination of the Contract by the Employer</p> <p data-bbox="411 490 1090 524">39.0 Termination of the Contract by the Contractor</p> <p data-bbox="411 564 1051 598">40.0 Termination of the Contract by either Party</p> <p data-bbox="411 638 1046 672">41.0 Practical Completion and Defects Liability</p> <p data-bbox="300 712 379 745">Note:</p> <p data-bbox="300 786 1246 965">If any defect be such that in the opinion of the Architect it shall be impracticable or inconvenient to remedy the same, he must ascertain the diminution in the value of the works due to the existence of such defects and deduct the amount of such remainder. The amount so deducted shall be recoverable as a liquidated demand in money.</p> <p data-bbox="411 1043 778 1077">42.0 Sectional completion</p> <p data-bbox="411 1117 935 1151">43.0 Damages for delay in completion</p> <p data-bbox="411 1191 979 1225">44.0 Antiquities and other objects of value</p> <p data-bbox="411 1265 783 1299">45.0 Settlement of disputes</p> <p data-bbox="300 1442 1134 1476">Appendix to the Conditions will be Completed as page PP/14</p> <p data-bbox="300 1554 638 1588">Total carried to collection</p>		
	PP/10		

ITEM NO.	DESCRIPTION	SHS.	CTS
	<p>Insertions and amendments to the <i>Agreement and Conditions of Contract for Building Works</i>, April 1999 Edition, published by the Joint Building Council, Kenya.</p> <p>Delete Sub clause 2.9</p> <p>Insert the following to complete Sub-clause 2.10 “_____” of “_____”</p> <p>Delete Sub clause 2.12</p> <p>Add at the end of Sub clause 2.13 "The delegated authority of such engineers, specialist and other consultants shall be limited to those described in the preliminaries section of the Contract Bills".</p> <p>A. <u>CLAUSE 3.0 GENERAL OBLIGATIONS OF THE EMPLOYER</u> Delete Clause 3.0 entirely</p> <p>B. <u>CLAUSE 4.0 GENERAL OBLIGATIONS OF THE CONTRACTOR</u> Delete the words "... unless it is legally or physically impossible to do so."</p> <p>C. <u>CLAUSE 8.0 CONTRACT BILLS AND CONTRACT PRICE</u> Amend in sub-clause 8.1 "The Employer" to the "Architect".</p> <p>D. <u>CLAUSE 12 INSURANCE OF THE WORKS (CONTRACTOR'S LIABILITY)</u> This clause shall apply. The Third Party (Public liability) indemnity shall not be less than Shs. 1,000,000.00 for any one accident or series of accidents arising from the same event (unlimited in aggregate).</p> <p>E. <u>CLAUSE 13.0 INSURANCE OF THE WORKS (CONTRACTOR'S LIABILITY)</u> This clause shall apply</p> <p>Total carried to collection</p>		

ITEM NO.	DESCRIPTION	SHS.	CTS
A.	<p><u>CLAUSE 14.0 INSURANCE OF THE WORKS (EMPLOYERS LIABILITY)</u></p> <p>This clause is not applicable</p>		
B.	<p><u>CLAUSE 15.0 INSURANCE OF THE WORKS (WORKS OF ALTERATION ETC..)</u></p> <p>This clause is not applicable</p>		
C.	<p><u>CLAUSE 16.0 PERFORMANCE BOND</u></p> <p>Sub-clause 16.2 is not applicable</p>		
D.	<p>CLAUSE 21.0 LEVELLING AND SETTING OUT</p> <p>Amend in sub-clause 8.1 "The Employer" to the "Architect".</p>		
E.	<p><u>CLAUSE 23.0 SPECIFICATIONS OF GOODS, MATERIALS AND WORKMANSHIP</u></p> <p>Delete sub-clause 23.7</p>		
F.	<p><u>CLAUSE 30.0 VARIATIONS</u></p> <p>Delete from sub-clause 30.2 the words "provided that no such instructions shall substantially change the scope or object of the contract without the consent of the Employer and the Contractor".</p> <p>Delete sub-clause 30.3</p> <p>Insert new sub-clause 30.6.5 "Where a Prime Cost rate is inserted in the Bills of Quantities for the supply of any materials or items, adjustment to the prime cost rate shall be undertaken by the Quantity Surveyor in accordance with the following rules;</p> <p>The nett difference plus five percent (5%) between the Prime Cost rate and the approved purchase rate as accepted by the Architect, less any trade and other discounts and excluding Value Added Tax, shall be added to or deducted from the Contract Sum. No other adjustment to the Prime Cost rate of the material shall be allowed"</p> <p>Add to the end of sub-clause 30.9 "The conditions of this sub clause do not apply to works undertaken by another contractor under Architects Instructions issued in accordance with clause 22.2 of the Conditions of Contract".</p> <p>Total carried to collection</p>		

APPENDIX**Clause**

Percentage to cover professional Fees for Insurance Purposes only	13.0	15 %
Name of Contractor's Surety	16.1	To be agreed
Amount of Surety	16.1	5 %
Name of Employer's Surety	16.2	Not applicable
Amount of Surety	16.2	Not applicable
Period of Submission of Programme	18.1	14 days on Award
Period for Possession of Site	20.1	_____
Contract Period	20.2	_____
Date for Commencement of Works	20.2	_____
Date for Practical Completion	20.2	_____
Name of the Bank for Purposes of Interest Calculation	32.4.5.) 31.14) 34.6)	K.C.B.
Interval for Application of Payment Certificates	34.1	To be agreed
Minimum Amount of Payment Certificate	34.4	
Percentage of Certified Value Retained	34.12	10 %
Limit of Retention Fund	34.12	5 %
Periods of Release of Interests on retention money to Contractor	34.15	Practical Completion
Period for Final Measurement and Valuation <i>Certified</i>	34.17	1 Month from Practical Completion
Defects Liability Period.	41.6	6 Months
Damages for delay in Completion	43.1	At the rate of Ksh 50,000.00 per week

Signed by the Said :

.....

EMPLOYER

.....

CONTRACTOR

ITEM NO.	DESCRIPTION	SHS.	CTS
	<p><u>COLLECTION</u></p> <p>Brought forward from page PP/1</p> <p>Brought forward from page PP/2</p> <p>Brought forward from page PP/3</p> <p>Brought forward from page PP/4</p> <p>Brought forward from page PP/5</p> <p>Brought forward from page PP/6</p> <p>Brought forward from page PP/7</p> <p>Brought forward from page PP/8</p> <p>Brought forward from page PP/9</p> <p>Brought forward from page PP/10</p> <p>Brought forward from page PP/11</p> <p>Brought forward from page PP/12</p> <p>Brought forward from page PP/13</p> <p>Brought forward from page PP/14</p> <p>TOTAL FOR PARTICULAR PRELIMINARIES CARRIED TO GRAND SUMMARY</p> <p>PP/15</p>		

BILL NO. 2

GENERAL PRELIMINARIES

ITEM NO.	DESCRIPTION	SHS.	CTS
A.	<p><u>GENERAL PRELIMINARIES</u></p> <p>METHOD OF MEASUREMENT</p> <p>The Bills of quantities have been prepared in accordance with the general principles of the standard Method of Measurement of Building Works of East Africa - Second Edition (Metric), published in January, 1987 by the Architectural Association of Kenya, Chapter of Quantity Surveyors.</p>		
B.	<p>SUFFICIENCY OF TENDER</p> <p>The Contractor be deemed to have satisfied himself before tendering as to the correctness and sufficiency of the Tender for the Works and of the rates and prices stated in the priced Bills of Quantities which rates and prices shall cover all his obligations under the Contract and all matter and things necessary for the proper completion and maintenance of the works.</p>		
C.	<p>ABBREVIATIONS</p> <p>Throughout these Bills, units of measurements and terms are abbreviated and shall be interpreted as follows ;</p> <p>CM shall mean cubic meter</p> <p>SM shall mean Square metre</p> <p>LM shall mean Linear metre</p> <p>mm shall mean millimetre</p> <p>Kg shall mean Kilogramme</p> <p>No shall mean Number</p> <p>Prs shall mean Pairs</p> <p>BS shall mean the Current British Standard specification published by the British Standards Institutions , 2 Park Street, London WI England.</p> <p>Total carried to collection</p>		
	GP/1		

ITEM NO.	DESCRIPTION	SHS.	CTS
A.	<p>ABBREVIATIONS (Cont'd)</p> <p>a.b.d. shall mean as before described</p> <p>K.B.S. shall mean the current Kenya Bureau of Standards.</p> <p>“Ditto” shall mean the whole of the preceding description except as qualified in the description in which it occurs. Where it occurs in brackets, it shall mean the whole of the preceding description which is contained in the appropriate brackets.</p> <p>“m.s.” shall mean Measured separately</p> <p>“Approved” shall mean as approved by the Architects</p> <p>“As Directed” shall mean as directed by the Architect</p> <p>“As Described” shall mean as described in the General description of materials and workmanship’ here before in the Bills of Quantities</p> <p>“Selected” shall mean Selected by the Architect</p> <p>“Singular and Plural” shall mean words importing the singular only shall also include the plural and vice versa where the context requires.</p> <p>“100 – 200” shall mean over 100 but not exceeding 200. The same shall be construed for all similar description.</p> <p>“Fix Only” shall mean take delivery at nearest railway station [Unless otherwise stated], pay all demurrage charges, load and transport to site where necessary, unload, store, unpack, assemble as necessary, distribute to position, hoist and fix only.</p>		
B.	<p>PRICING BILL OF QUANTITIES</p> <p>The Contractor shall price out individually and in detail all items in these Bills of Quantities and under no circumstances will Lump Sums be allowed. All rates and figures entered in the Bills of quantities must be done in ink.</p> <p>Without authority, the Contractor shall not alter or otherwise qualify the text of the Bills of Quantities, otherwise such alterations may render the tender liable for disqualification and in any case will be ignored.</p> <p>Total carried to collection</p>		

ITEM NO.	DESCRIPTION	SHS.	CTS
A.	<p>SITE LEVELS</p> <p>Before commencing the work the Contractor must arrange for and agree with the Employer's Representatives the existing site levels and similarly establish and agree a bench mark.</p>		
B.	<p>SETTING OUT</p> <p>The Contractor shall set out the Works in accordance with the dimension and levels shown on the drawings and shall be responsible for the correctness of all dimensions and levels so set out by him and will be required to amend all errors arising from inaccurate setting out cost and expense. In the event of any error or discrepancies these shall be reported to by the Architect for his immediate attention.</p> <p>No work shall be commenced by the Contractor until he has received written instruction from the Architect to adjust such discrepancies which may be proved. Upon receipt of such instructions the Contractor shall thereupon be responsible for adjustments necessary. No claim for extra expense or relief from the Provisions of Clause 5 of the Conditions of Contract based on any discrepancy or error in the dimensions or levels shown on the Drawings may be made thereafter.</p> <p>Before any work is commenced by Sub-Contractors or specialist firms, dimensions must be checked on the site and . or building and agreed with the Contractor irrespective of the comparable dimensions shown on the drawings. The Contractor shall be responsible for the accuracy of such dimensions.</p>		
C.	<p>MATERIALS AND WORKMANSHIP</p> <p>All materials and workmanship used in the execution of the works shall be of the best quality and description unless otherwise described. Any materials condemned by the Architect shall be immediately removed from site at the Contractor's expense. The standard of workmanship shall not be inferior to the current British codes of practice and / or equivalent Kenya Building Standards. No materials for use in the permanent construction are to be used for any temporary or other purpose other than that for which they are provided.</p> <p>Total carried to collection</p> <p style="text-align: center;">GP/3</p>		

ITEM NO.	DESCRIPTION	SHS.	CTS
A.	<p>SECURITY OF WORKS</p> <p>The Contractor shall be entirely responsible for the security of all the works, stores, materials, plant, personnel, etc both his own and Sub-contractor's and must provide all necessary watching, lighting and other precautions as necessary to ensure security against theft, loss or damage and the protection of the public. All articles and materials supplied by the Employer must be signed for by the Contractor at the time taking delivery as having received them in good order and thereafter the Contractor shall be responsible for any damage or loss of the same.</p>		
B.	<p>SUPERVISION AND WORKING HOURS</p> <p>The Works shall be executed under the direction and reasonable satisfaction of the Architect who shall at all times during normal working hours have access to all works or any other places where such work is being prepared for the contract.</p> <p>Working hours shall be those generally in force in the Building and Civil Engineering Trades in Kenya. No work shall be carried out at night or on gazetted holidays unless the Architect shall so direct.</p> <p>No work shall be covered up nor shall any concreting be carried out in the absence of the Clerk of Works without the prior approval of the Architect in writing.</p>		
C.	<p>DISTURBANCE OR NUISANCE</p> <p>The Contractor shall allow for taking all necessary precautions in the order of execution of the works so as to avoid causing disturbance or nuisance to the occupants or any existing buildings on or adjacent to the works and to the public and for complying with the Architect instructions in this respect.</p>		
D.	<p>LABOUR REGULATIONS & FAIRWAGES</p> <p>The Contractor shall comply with the Regulation of Wages and Conditions of Employment Act and pay wages and other emoluments and observe working hours and Conditions of Labour not less favourable than the minimum remuneration and conditions of employment applicable in the district in which the work is carried out.</p> <p>Total carried to collection</p> <p style="text-align: center;">GP/4</p>		

ITEM NO.	DESCRIPTION	SHS.	CTS
A.	<p>LABOUR REGULATIONS & FAIRWAGES (Cont'd)</p> <p>These regulations must be conveniently displayed at all times during the execution of the Contract for the information of employees in all places used for the execution of the Contract.</p> <p>The Contractor shall furnish to the Architect if called upon to do so such particulars of the rates of wages, hours, and conditions of labour referred to above.</p> <p>The Contractor shall recognize the freedom of employees to belong to Trade Unions and maintain daily records in English of time worked and wages paid to individual employees.</p> <p>The Contractor shall be responsible for compliance by Sub - Contractors employed in the execution of the Contract with the aforementioned labour regulations.</p> <p>Should a claim be made to the Architect alleging the Contractor's default in payment of fair wages of any workman employed on the Contract and if satisfactory proof thereof is furnished to the Architect by the Department responsible for labour for the time being, the Architect may, failing payment by the Contractor, pay the Claim out of any monies due or which may become due to the Contractor under the Contract</p>		
B.	<p>SAFETY, HEALTH AND WELFARE OF WORK FORCE</p> <p>The contractor shall allow for providing for safety, health and welfare of work people and for complying with any relevant ordinances regulations or union agreements</p>		
C.	<p>NATIONAL INSURANCE AND PENSION FUND</p> <p>The contractor shall allow for making any National Insurance or Social Security Fund or payments due in respect of his work force</p>		
D.	<p>HOLIDAYS AND TRANSPORT FOR WORK FORCE</p> <p>The contractor shall allow for holiday and transport for work people and of complying with any relevant Ordinances Regulations or Union agreements.</p> <p>Total carried to collection</p>		
	GP/5		

ITEM NO.	DESCRIPTION	SHS.	CTS
A.	<p>OVERTIME</p> <p>The Contractor shall be responsible for any extra costs for overtime arrangements he may consider necessary in order to complete the works within the Contract time unless otherwise instructed by the Architect.</p> <p>For any overtime worked in accordance with written instructions by the Architect, the Contractor shall be reimbursed in respect of such overtime to the extent only of the additional net cost of unproductive time payable over and above the basic hourly rates as Act, Building and construction Industry Wages Council and shall exclude any bonuses, profits and overheads.</p>		
B.	<p>INTERRUPTION OF WORK</p> <p>The Contractor is to allow hereinafter for all cost incurred by the interruption of work due to public parades, professions and the like.</p>		
C.	<p>BOND</p> <p>The Contractor shall find and submit on the Form of Tender an approved Bank and who will be willing to be bound to the Employer in an amount equal to 10 percent [10%] of the Contract amount for the due performances of the Contract upto the date of completion as certified by the Architect and who will when and if called upon, sign a Bond to that effect on the relevant standard form included herein. [without the addition of any limitations] on the same day as the Contract Agreement is signed, by the Government, the Contractor shall furnish within seven days another Surety to the approval of the Government.</p>		
D	<p>PLANT, TOOL AND VEHICLES</p> <p>The Contractor is to allow for providing all scaffolding, ladders, cranes, hoists, tools, plant, mould, dust covers, templates etc and transport required for proper execution of the works, maintaining them during the contract performance except in so far as may be specifically stated otherwise herein and removal of same after completion of the Contract. No timber used for scaffolding, formwork or temporary works of any kind shall be used afterwards in the permanent work.</p> <p>Total carried to collection</p>		
	GP/6		

ITEM NO.	DESCRIPTION	SHS.	CTS
A.	<p>PLANT AND LABOUR RETURNS</p> <p>The Contractor shall prepare and deliver to the Architect or his representative detailed returns showing the number and category of his supervisors, numbers of the several classes of labour and plant employed on the works together with those of all his Sub – Contractors.</p> <p>The Contractor shall keep a visitors book on the site and shall ensure that the names of all visitors to the site are duly recorded.</p> <p>TRANSPORT TO AND FROM THE SITE</p> <p>The Contractor shall include in his tender price for the transport of materials, workmen, etc., to and from the site of the proposed works, at such hours and by such routes as are permitted by the competent Authorities.</p> <p>WATER FOR WORKS</p> <p>The Contractor shall provide at his own risk and cost all necessary arrangements for clean and fresh water for the works including that required by the Sub-contractors on site. He must provide for any temporary plumbing, meter, payment of all water bills, storage facilities and clear away after completion and make good works disturbed.</p> <p>No guarantee is given or implied that sufficient water will be available from the mains and the Contractor must make his own arrangements for augmenting this supply at his own cost as necessary. Nominated Sub-Contractors are to be made liable for the cost of any water used or any installation specially provided for their own use.</p> <p>NCA REGULATIONS</p> <p>The Contractor is to comply with all regulations of the National Construction Authority including serving of notices, paying of 0.05% of the total construction cost.</p> <p>POLICE REGULATIONS</p> <p>The Contractor shall at all times observe police and traffic Regulations including those regarding the loading or unloading of or waiting vehicles on the Public Highways and the Contract Sum shall be deemed to include for strict compliance therewith.</p> <p>Total carried to collection</p>		
GP/7			

ITEM NO.	DESCRIPTION	SHS.	CTS
A.	<p>LIGHTING AND POWER FOR THE WORKS</p> <p>The Contractor shall provide at his own risk and cost the required electricity supply for the works including that required by Sub-Contractors and others on site, and pay all fees and obtain all permits in connection therewith. Nominated Sub-Contractors are to be made liable for the cost of any electrical power used and for any installations provided specifically for their own use.</p>		
B.	<p>EXISTING PROPERTY</p> <p>The Contractor shall make all precautions to avoid damage to all existing property including roads, cables, drains and other services and he will be held responsible for and shall make good all such damage arising from the execution of this Contract at his own expense to the satisfaction of the Architect.</p>		
C.	<p>ACCESS TO SITE AND TEMPORARY ROADS</p> <p>Means of access to the site shall be agreed with the Architect prior to commencement of the work and the Contractor must allow for constructing and maintaining the necessary temporary access roads, culverts, crossings, bridges etc. removing them and making good and reinstalling all works and surfaces disturbed to the satisfaction of the Architect.</p>		
D.	<p>DAY WORKS</p> <p>The Architect may, if in his opinion deems it necessary or desirable, order in writing that any additional or substituted work shall be executed on a day work basis. The contractor shall then be paid for such work in accordance with day work rates and percentage additions to be agreed with the Quantity Surveyor.</p> <p>The contractor shall furnish to the Architect all receipts or vouchers as may be necessary to prove the amounts paid and before ordering materials shall submit to the Architect quotations for the same for his approval.</p> <p>Total carried to collection</p>		
	GP/8		

ITEM NO.	DESCRIPTION	SHS.	CTS
	<p>In respect of all works executed on a day work basis the contractor shall during the continuance of such works, deliver each day to the Architect a list in duplicate of names, occupation and time of all work men employed on such work and a statement also in duplicate showing the description and the quantity of all materials and plant used therein or there of. (other than plant which is included in the percentage addition on net amount of wages) One copy of each list and statement will, if correct or when agreed, be signed by the Architect and returned to the Contractor.</p> <p>A. SITE OFFICE</p> <p>The contractor shall provide erect and maintain where directed on site and afterwards dismantle the site office of the type noted in the Particular Preliminaries, complete with furniture. He shall provide, erect and maintain a lock – up type water closet for the sole use of the Consulting Team including making temporary connections to the drain where applicable to the satisfaction of Government and Medical Officer of Health and shall provide services of cleaner and pay all conservancy charges and keep both office and closet in a clean and sanitary condition from commencement to the completion of the works and dismantle and make good disturbed surfaces. The office and closet shall be completed before the Contractor is permitted to commence the works. The Contractor shall make available on the Site as and when required by the Consulting Team a modern and accurate level together with leveling staff, ranging rods and 50 metre metallic or linen tape.</p> <p>B. TELEPHONE</p> <p>A telephone will be provided on site by the contractor. He must allow for footing all bills incurred by him and the design team during the entire contract period.</p> <p>C. SANITATION OF THE WORK</p> <p>The sanitation of the works shall be arranged and maintained by the contractor to the satisfaction of the National Government and / or County Government, Labour Department and the Architect.</p> <p>Total carried to collection</p> <p style="text-align: center;">GP/9</p>		

ITEM NO.	DESCRIPTION	SHS.	CT S
A.	<p>AREA TO BE OCCUPIED BY THE CONTRACTOR</p> <p>The area of the site which may be occupied by the Contractor for use as storage and for the purposes of erecting workshops etc. shall be defined on site by the Architect.</p>		
B.	<p>CONTRACTOR'S SUPERINTENDENT / SITE AGENT</p> <p>The Contractor shall constantly keep on the Works a literate English speaking agent or Representative, competent and experienced in the kind of work involved who shall give his whole experience in the kind of work involved and shall give his whole time to the superintendence of the works. Such Agent or Representative shall receive on behalf of the Contractor all directions and instructions from the Architect and such directions shall be deemed to have been given to the Contractor in accordance with the Conditions of Contract.</p>		
C.	<p>LABOUR</p> <p>No labour may be housed on site with the exception of watchmen. The Contractor shall provide, erect and maintain satisfactory housing for the watchmen and shall remove the same on completion of the works.</p> <p>Unless the Architect otherwise agrees the Contractor is to recruit locally all his unskilled labour and as much as possible of his skilled labour.</p>		
D.	<p>HOARDING</p> <p>The contractor shall enclose the site or part of the works under construction with a hoarding 2400 mm high consisting of iron sheets on 100 x 50 mm timber posts firmly secured at 1800 mm centres with two 75 x 50 mm timber rails. The Contractor is in addition required to take all precautions necessary for the safe custody of the works, materials, plant, public and Employer's property on the site.</p>		
E.	<p>SIGNBOARD</p> <p>The Contractor shall allow for providing, erecting, maintaining throughout the course of contract and there afterwards clearing away a signboard to the Architects drawing (Available for inspection at the Architect's office)</p> <p>No other signboards or advertisement will be permitted without the written authority of the Architect.</p> <p>Total carried to collection</p>		
	GP/10		

ITEM NO.	DESCRIPTION	SHS.	CT S
	<p>These sign boards comprise a strong well braced frame set in foundation with a title board and separate boards for all consultants, main and subcontractors. The whole of the supports and boards must be well painted and the lettering which must not exceed 2” high on this consultant board motif etc must be carried out by an experienced sign writer to the approval of the Architect.</p> <p>A. BLASTING OPERATIONS Blasting will only be allowed with the express permission of the Architect in writing. All blasting operations shall be carried out at the Contractor’s sole risk and cost in accordance with any Government regulations in force for the time being, and any special regulations laid down by the Architect governing the use and storage of explosives.</p> <p>B. ALTERATIONS TO BILLS, PRICING, ETC Any unauthorized alteration or qualification made to the text of the Bills of Quantities may cause the Tender to be disqualified and will in any case be ignored. The Contractor shall be deemed to have made allowance in his prices generally to cover any items against which no price has been inserted in the priced Bills of Quantities. All items of measured work shall be priced in detail and the Tenders containing Lump Sums to cover trades or groups of work must be broken down to show the price of each item before they will be accepted.</p> <p>C. MATERIALS ARISING FROM EXCAVATIONS Materials of any kind obtained from the excavation shall be the property of the Employer. Unless the Architect directs otherwise such materials shall be dealt with as provided in the Contract. Such materials shall only be used in the works, in substitution of materials which the Contractor would otherwise have had to supply with the written permission of the Architect should such permission be given, the Contractor shall make due allowance for the value of the materials so used at a price to be agreed.</p> <p>D. STORAGE OF MATERIALS The Contractor shall provide on the site weather proof, lock up sheds for the site storage and custody of materials for the works and shall remove them on completion of the works making good damaged or disturbed surfaces to the satisfaction of the Architect.</p> <p>Nominated Sub-contractors shall be made liable for the cost of any storage accommodation provided specially for their own use.</p> <p>Total carried to collection</p> <p style="text-align: center;">GP/11</p>		

ITEM NO.	DESCRIPTION	SHS.	CTS
A.	<p>PROTECTION OF THE WORKS</p> <p>The Contractor shall protect or cover-up all finished work liable to damage including provision of temporary roofs, gutters, drain etc. during the progress of the works and until the completion of the works.</p> <p>Any damage occurring to the works, materials, drains, paths or other works due to weather or want of protection during the progress of the works shall be made good by the Contractor at no extra cost.</p>		
B.	<p>PROGRAMME / PROGRESS CHART</p> <p>Within fourteen (14) days of signing the Contract, the Contractor shall prepare a full detailed programme and progress chart in the form of bar chart, precedence diagram or network analysis showing completion dates of various sections of work and resource requirement to the approval of the Architect.</p> <p>If the Contractor proposes sectional completion of the works he must plan this detail including access roads and services and this programme shall be reflected on the chart.</p> <p>Upon letting of the Sub-contract works the Contractor shall incorporate times and details of each Sub-contractor's work – which information is to be agreed with the Sub-contractor concerned and the chart shall be so designed to accommodate this information.</p> <p>At the end of each week the Contractor shall mark on the chart in a different colour the actual time taken to complete the respective stages and section of the works.</p> <p>The Contractor shall also show upon the chart the anticipated weekly labour strength required, divided into labourers and craftsmen, and shall similarly mark up the actual numbers employed.</p> <p>The Contractor shall supply approved copies of the chart to the Architect.</p> <p>The Contractor shall liaise with the Architect, Nominated Sub-contractors and Nominated Suppliers to ensure that Contract Completion date remains unchanged.</p> <p>Total carried to collection</p> <p style="text-align: center;">GP/12</p>		

ITEM NO.	DESCRIPTION	SHS.	CTS
A.	<p>PROGRESS PHOTOGRAPHS</p> <p>The Contractor shall allow for providing one copy of approved progress photographs (digital or otherwise) to the Architect taken during the period of the Contract.</p>		
B.	<p>PROVISIONAL WORK</p> <p>All work measured provisionally shall be left uncovered for a reasonable time to allow all measurements needed for such adjustment to be taken by the Quantity Surveyor. The Contractor shall immediately notify the Quantity Surveyor when such work is completed. Should the Contractor default in these respects, he shall, if the Architect so directs uncover the work at his own expense to enable measurements to be taken.</p>		
C.	<p>IMPORTED MATERIALS AND SPECIAL ITEMS</p> <p>Where imported materials or special items of goods; materials, or equipment from part of the Contract, the Contractor shall be entirely responsible for making all necessary arrangements and placing all necessary orders to ensure their prompt and timely arrival on site to suite the building operations. No claim for an extension for time will be entertained by the Architect unless the Contractor can produce reasonable proof that he has taken all possible precautions to prevent delay and that the delay is beyond his control.</p>		
D.	<p>PRIME COST AND PROVISIONAL SUMS</p> <p>Interpretation of these terms shall be as Clause A 7 of the Standard Method of Measurement of Building Works and Sums of money included under these terms shall be subject to adjustments in the Final Account.</p> <p>Profit and attendance shall only be allowed for Prime Cost Sums, Adjustments of percentage profit included against prime cost sums shall be applied to the final account figure but attendance, included a lumpsum, shall be adjusted pro-rata to the physical extent of the work executed.</p> <p>Should the Contractor be allowed to tender and his tender be accepted for any work for which a prime cost sum is included in these Bills of Quantities, profit and attendance will be allowed at the same rate as it would be if the work were executed by a Nominated Sub-contractor.</p> <p>Total carried to collection</p>		

ITEM NO.	DESCRIPTION	SHS.	CTS
	<p>The Employer reserves the right to place a “Direct Contract” for any goods or services required for the works which are covered by a P.C. Sum and pay for the same directly. In this case, the Contractor shall be allowed the appropriate profit and attendances.</p> <p>A. ATTENDANCE UPON OTHER TRADESMEN ETC.</p> <p>The Contractor shall allow for the attendance of trade upon trade and shall afford any tradesmen or other persons employed for the execution of any work not included in this Contract every facility for carrying out their work and also for use of his ordinary scaffolding . The Contractor, however, shall not be required to erect any special scaffolding for them.</p> <p>The Contractor shall perform such cutting away for and making good after the work of such tradesmen or persons as may be ordered by the Architect and the work will be measured and paid for to the extent executed at rates provided for in these Bills of Quantities.</p> <p>B. DETERMINATION BY EMPLOYER</p> <p>In the event of the employment of the Contractor being determined in accordance with the provisions of Clauses 38 of the Conditions of Contract, then in addition to the rights and duties set out in Clause 38.4 of the Conditions of Contract, the Employer shall have the right to complete the works on his own in which case the amount of expenses properly incurred by the Employer referred to in Clause 38.4 of the Conditions of Contracts shall include an allowance to cover the cost of supervision, interest and depreciation on plant and all other usual charges and profits as would have been incurred had the work been carried out by another Contractor.</p> <p>C. REMOVING OF RUBBISH AND CLEANING</p> <p>The Contractor shall remove all rubbish and debris from the buildings and site as it accumulates and on completion of the works. All plant, scaffolding and unused materials must also be removed on completion of the works.</p> <p>Before final inspection and handing over date, the Contractor must clean the buildings both internally and externally to make the works perfect and fit for immediate occupation by the Employer.</p> <p>Total carried to collection</p> <p style="text-align: center;">GP/14</p>		

ITEM NO.	DESCRIPTION	SHS.	CT S
A.	<p>SAMPLES</p> <p>The Contractor shall furnish at his own cost any samples of materials or workmanship or any tests that may be called for by the Architect unless otherwise provided in these Bills of Quantities.</p> <p>Any workmanship or materials not complying with the specific requirements or approved samples or which have been damaged, contaminated or have deteriorated, must be immediately removed from site and replaced at the Contractor's expense, as required. Any approved samples shall be the minimum standard from the work to which they apply.</p>		
B.	<p>WORKS TO BE DELIVERED UP CLEAN</p> <p>Clean and flush all gutters, rainwater and waste pipes, manholes and drains, wash [except where such treatment might cause damage] and clean all floors, sanitary fittings, glass inside and outside and any other parts of the works and remove all marks, blemishes, stains and defects from joinery, fittings and decorated surfaces generally, polish door furniture and bright parts of metalwork and leave the whole of the buildings watertight, clean, perfect and fit for occupation to the approval of the Architect.</p>		
C.	<p>NOMINATED SUB – CONTRACTORS</p> <p>The Contractor shall be responsible for Nominated Sub – Contractors in every respect and in particular it shall be the Contractor's responsibility to ensure that each Sub- Contractor commences and completes the work in such manner and is ready on the site with his materials, labour and special plant such times so as to conform with the Progress Schedule as specified previously, and to ensure satisfactory progress.</p> <p>The Contractor shall also accept liability for and bear the cost of General Attendance on Nominated Sub-Contractors which shall be deemed to include for :-</p> <p>Total carried to collection</p>		

ITEM NO.	DESCRIPTION	SHS.	CTS
	<p>Allowing the use of standing scaffolding, maintenance and alteration of all scaffolding, retention of all scaffolding until such time as all relevant Sub-Contractor’s works are complete and removal of all scaffolding on completion. Providing build space for Office accommodation, and for storage of plant and materials; allowing use of sanitary accommodation; the supply of all necessary water, and lighting; and clearing away rubbish.</p> <p>The items for “General Attendance” given here –in-after following P.C. and Provisional Sums in respect of Sub-Contractors work shall be deemed to include all the above.</p> <p>The Contractor shall also accept liability for and bear the cost of Special Attendance on Nominated Sub-Contractors which shall include for one or more of the following;</p> <p>The Items of “Special Attendance” given here-in-after following P.C. Sums shall include any one or more of the above items as set out in the particular reference.</p> <p>The Contractor shall allow for any cutting for and making good after the work of Sub-Contractors as may be required and this will be deemed to be included herein and therefore the Contractor will not be entitled to any additional payment.</p> <p>NOMINATED SUPPLIERS</p> <p>A. The cost of “fix only” materials to be obtained from Nominated Suppliers which are covered by Prime Cost or Provisional Sums shall include for taking delivery where directed, checking with invoices or idents, reporting and claiming damages for shortages and damaged goods, defraying demurrage, signing for as having been received in good order, transporting, unloading, storing, covering and protecting until the time of fixing, unpacking, replacing anything lost or damaged, sorting, assembling, hoisting to required levels and fixing as described.</p> <p>Before placing any orders with Nominated Sub-Contractors or Nominated Suppliers the Contractor must ascertain that the terms and conditions of the quotations and the dates of delivery of materials or execution of works comply with the terms of Contract and the Progress Schedule.</p> <p>Total carried to collection</p> <p style="text-align: center;">GP/16</p>		

ITEM NO.	DESCRIPTION	SHS.	CTS
A.	<p>CONCRETE CUBE TESTS</p> <p>The Contractor shall allow for the cost of preparing, delivery and testing of concrete samples required by the Engineers and shall obtain test Certificates of concrete test tubes, each cube size 150 x 150 x 150 mm or such other size as may be directed by the Engineer.</p> <p>A set of 3No X 50 Tests @= Kshs.....</p>		
B.	<p>TRAINING LEVY</p> <p>The Contractor's attention is drawn to legal Notice No. 237 of October, 1971, (or such subsequent edition as may be current) together with the latest amendments (if any) which requires payment by the Contractor of a Training Levy at the rate of ¼% (one quarter per cent) of the Contract Sum on all Contractors of more than Ksh. 50,000.00 in value and his tender must include for all costs arising or resulting therefrom. Proof of Payment of this levy will be required.</p>		
C.	<p>VALUE ADDED TAX</p> <p>The Contractor's attention is drawn to the Provisions of the Finance Bill, 1999 which requires payment by the Contractor of Value Added Tax (VAT) on construction services rendered.</p> <p>The Contractor will provide for this at the summary page otherwise will be deemed to have included VAT in his rates</p>		
D.	<p><u>WITHHOLDING TAX ON CONSULTANCY, AGENCY FEES AND CONTRACTUAL PAYMENTS SECTION 35 (3) (f) (i) (ii)</u></p> <p>The Contractor's attention is drawn to the Kenya Revenue Authority (K.R.A.) Public and any other amendments thereafter Notice notifying the Tax paying public that with effect from 1st July, 2000, 2 % withholding tax is applicable to all payments made to residents persons in respect of Consultancy, Agency or Contractual Payments as follows ;</p> <p>i) To individuals recipients without a registered business name or without a Personal Identification Number (PIN) if the amount is Kshs. 24,000 or more per month</p> <p>Total carried to collection</p>		
	GP/17		

ITEM NO.	DESCRIPTION	SHS.	CTS
	<p data-bbox="325 264 1241 450">ii) the recipient is a person working under a registered business name of having a Personal Identification Number (PIN) if the amount is Kshs. 200,000.00 or more in a month In this case the payer should advice the commissioner of Income Tax of payments paid in writing immediately.</p> <p data-bbox="188 488 555 517">A. STANDARD LEVY</p> <p data-bbox="277 562 1219 853">The Contractor’s attention is drawn to Legal Notice No. 267 of 1990 (or such subsequent edition as may be current) together with the latest amendments (if any), which requires payment by all Contractor’s Standards levy at the rate of 1/5% (one fifth per cent) of the ex-factory price in respect of manufacture during this each month subsequent to a ceiling of Ksh. 200,000.00 per Annum. The tenderer must allow for all cost arising or resulting therefrom. Proof of Payment of this levy will be required</p> <p data-bbox="188 927 975 994">B. ADJUSTMENTS TO STANDARD METHOD OF MEASUREMENT</p> <p data-bbox="277 1039 1235 1182">Clause D 18 (a), (b) and (c) shall be deleted. The following Clause shall apply “Keeping the whole of the excavations free from all water and mud; including spring and running water shall be given as an item and shall include pumping, balling or other methods as may be required”.</p> <p data-bbox="188 1227 405 1256">C. SAFETY</p> <p data-bbox="277 1301 1219 1733">The Contractor shall comply all times with the requirements of the Factory Act (Cap 514), Building Construction Rules, Supplement 18, Legal Notice No. 40 dated 5th April, 1984 to ensure that the safety of his workpeople and authorized visitors to the site is protected at all times. In particular, there shall be proper provision of planked footways and guardrails scaffolding, etc., protection against falling materials and tools and the site shall be kept tidy and clear of dangerous rubbish. The Contractor shall appoint a Safety Officer as required by the Factory Act and notify the Factory inspector of his name. The safety officer shall be on site at all times and all directions given by the Architect to the safety officer shall be deemed to be Architect’s instructions, and shall be complied with promptly without additional cost to the Contract.</p> <p data-bbox="277 1809 612 1839">Total carried to collection</p> <p data-bbox="715 2024 799 2054">GP/18</p>		

ITEM NO.	DESCRIPTION	SHS.	CTS
	<p>The Architect shall be empowered to suspend work on site should he consider that these conditions are not being observed, and no claim arising from such suspension will be allowed.</p> <p>A. PROTECTIVE CLOTHING</p> <p>The Contractor shall provide all protective or any other special clothing or equipment for his employees that may be necessary. This shall include, inter-alia, safety helmets, gloves, goggles, earmuffs, gum boots, overall etc., according to the type of work. The Contractor shall ensure that safety helmets are worn by all Staff on site at all times.</p> <p>B. PROPRIETARY MATERIALS</p> <p>Where proprietary materials are specified here-in-after, the Contractor may propose the use of materials of other manufacture but of equal quality for approval by the Architect.</p> <p>All materials and goods where specified to be obtained from a particular manufacturer or supplier are to be used in accordance with their instructions.</p> <p>C. PRIME COST RATES</p> <p>Where description of items include a P.C. rate per unit, this rate is to cover the nett supply cost of the unit only. The Contractor's price must include for the cost of the unit at the rate stated, plus waste, taking delivery, storage, fixing in position, profit and overheads.</p> <p>The actual nett cost per unit will be adjusted in the Final Account against the P. C. rate stated.</p> <p>D. COPYRIGHT</p> <p>The copyright of these Bills of Quantities is vested in the Meru County Quantity Surveyor, and no part thereof may be reproduced without their express permission given in writing.</p> <p>Total carried to collection</p> <p style="text-align: center;">GP/19</p>		

ITEM NO.	DESCRIPTION	SHS.	CT S
	<p><u>COLLECTION</u></p> <p>Carried forward from page GP/1</p> <p>Carried forward from page GP/2</p> <p>Carried forward from page GP/3</p> <p>Carried forward from page GP/4</p> <p>Carried forward from page GP/5</p> <p>Carried forward from page GP/6</p> <p>Carried forward from page GP/7</p> <p>Carried forward from page GP/8</p> <p>Carried forward from page GP/9</p> <p>Carried forward from page GP/10</p> <p>Carried forward from page GP/11</p> <p>Carried forward from page GP/12</p> <p>Carried forward from page GP/13</p> <p>Carried forward from page GP/14</p> <p>Carried forward from page GP/15</p> <p>Carried forward from page GP/16</p> <p>Carried forward from page GP/17</p> <p>Carried forward from page GP/18</p> <p>Carried forward from page GP/19</p> <p style="text-align: center;">TOTAL FOR GENERAL PRELIMINARIES CARRIED TO GRAND SUMMARY</p> <p style="text-align: center;">GP/20</p>		

BILL NO. 3

PREAMBLES AND PRICING NOTES

PREAMBLES AND PRICING NOTES

A. **GENERALLY**

All work to be carried out in accordance with Ministry of Works General Specification for Building and Civil Works issued in 1976 and any other subsequent Revisions.

B. **MANUFACTURER'S NAMES**

Where Manufacturers names and catalogue reference are given they are so given for guidance to Quality and Standard only. Alternatively Manufacturers of quality will be accepted at the discretion of the Architect.

C. **CARPENTRY**

The grading rules for Cypress shall be the same as those for Podocarpus and all timber used for structural works shall be select (second grade).

All structural timber must conform to the minimum requirements for moisture content and preservative and timber prices must allow for preparing and sending samples for testing when required.

Prices must also include for all nails and fasteners.

D. **PLASTER WORK AND OTHER FINISHES**

All finishes shall be as described in the general specification and in these Bills of Quantities.

E. **GLAZING**

Where polished plate glass is specified, this refers to general glazing quality.

Prices for glazing include for priming of rebates before placing putty.

The Contractor will be responsible for replacing any broken or scratched glass and handing over in perfect condition.

A. PAINTING

Painting category shall be Category A of Ministry of Public Works approved list and applied in accordance with the Manufacturers instructions.

B. JOINERY

Cypress for joinery shall be prime grade in accordance with the latest grading rules of the Kenya Government.

Where Mahogany is specified, this refers to prime grade only. The Contractor may with the approval of the Architects, use either Msharagi or Mvuli in lieu of Mahogany but such approval will be given only in the case of shortages of the hardwoods specified.

Plugging shall be carried out by drilling walling or concrete with a masonry drill and filling with proprietary plugs of the correct sizes. Cutting with hammer and chisel will not be allowed.

Prices for joinery must include for pencil rounded arises, protection against damage, nails, screws, framing and bedding in cement mortar as required.

Sizes given for joinery items are normal sizes and exact dimensions of doors, etc. Must be ascertained on site.

C. IRONMONGERY

Ironmongery shall be as specified in the Bills of Quantities or equal and approved.

Prices must include for removing and refixing during and after painting, labelling all keys, and for fixing to hardwood, softwood, concrete or block work.

Catalogue references given for ironmongery are for purposes of indicating quality and sizes of item. Should the Contractor wish to substitute the specified items with others of equal manufacturer, he must inform the Architect and obtain approval in writing.

The Contractors attention drawn to the fact that the locks are under a master key system.

BILL NO. 4

BUILDER'S WORKS

ITEM	DESCRIPTION	QTY	UNIT	RATE	AMOUNT
	<u>PROPOSED CONSTRUCTION OF GITHONGO STADIUM BOUNDARY WALL</u>				
	<u>BOUNDARY WALL</u>				
	<u>ELEMENT NO. 1</u>				
	<u>SUBSTRUCTURE (ALL PROVISIONAL) :-</u>				
A	Excavate trenches in normal soil for strip footing not exceeding 1.50 M deep from the ground level.	490	CM		
B	Excavate trenches in normal soil for column bases not exceeding 1.50 M deep from the ground level.	315	CM		
C	Load, cart away and spread extra excavation material on sited as directed by the Architect.	433	CM		
	<u>Water disposal</u>				
D	Allow for keeping all excavation clear of surface and running water		ITEM		
	<u>Plunking and Strutting</u>				
E	Allow for plunking and strutting to sides of all excavation to keep excavation free from all fallen materials		ITEM		
	<u>Filling</u>				
F	Return fill and rum selected excavated material to sides of foundation walling.	372	CM		
	<u>Plain concrete (1:4:8) as described in :-</u>				
G	50 mm thick column bases	210	SM		
H	50 mm thick foundation footing	326	SM		
	<u>Reinforced concrete 1:2:4 as described in :-</u>				
I	Column bases	105	CM		
J	Column	11	CM		
K	Strip footing	65	CM		
	<u>Sawn formwork as described to :-</u>				
J	Sides of column bases	420	SM		
K	Vertical sides of column	210	SM		
L	Sides of strip footing 150-225mm	218	LM		
	<u>WALLING</u>				
	<u>Machine cut stone or other equal and approved walling in Cement : sand (1:4) mortar :-</u>				
M	200mm thick boundary wall	680	SM		
	Total carried to collection				

ITEM	DESCRIPTION	QTY	UNIT	RATE	AMOUNT
	<u>High Tensile Reinforcement Bars to B. S. 4461 including cutting, bending and all necessary spacer blocks :</u>				
A	12 mm diameter	5430	KG		
B	10 mm diameter	8145	KG		
C	8 mm diameter	3620	KG		
	<u>Mild Steel Reinforcement Bars to B. S. 4449 including cutting, bending and all necessary spacer blocks : (Provisional) :-</u>				
D	8 mm diameter	905	KG		
	Total carried to collection				
	<u>COLLECTION</u>				
	Carried forward from page 1				
	Brought down from above				
	Total carried to Summary				

ITEM	DESCRIPTION	QTY	UNIT	RATE	AMOUNT
	<u>ELEMENT NO. 2</u>				
	<u>SUPERSTRUCTURE WALLING</u>				
	<u>Vibrated reinforced concrete grade 25 as before described in:</u>				
A	Columns	18	CM		
	<u>High tensile square twisted bars to BS 4449 cut and bent to</u>				
	<u>BS code 8666:2005 as before described</u>				
B	Assorted bars	1800	KG		
	<u>Sawn timber formwork:</u>				
C	To columns	353	SM		
	<u>Damp Proof Course</u>				
D	200mm wide course under walls	544	LM		
	<u>Flexcell" expansion joint</u>				
E	25mm thick "Flexcell" expansion joint	28	SM		
F	25x25mm horizontal mastic sealant	261	LM		
	<u>Machine cut stone or other equal and approved walling in Cement : sand (1:4) mortar :-</u>				
A.	200 mm thick boundary wall, neat horizontal and vertical key pointing internally and externally	1028	SM		
	<u>Weepholes</u>				
B	Provision of weep holes	91	NO		
	<u>Mild steel Grilles</u>				
C	Supply, assemble and fix mild steel grille comprising 50 x 50x2mm rolled hollow section frame all round and cross bracing of 100 x 50 mm RHS top, middle and bottom rail. 50x 25 mm vertical support bars at 150 mm centre spacing including all hinges, fixing lugs and painting.	99	SM		
	<u>Precast Concrete</u>				
D	350 x 350 x 50 mm thick coping to columns	210	NO		
E	250 x 45mm thick coping: twice weathered and throated ; fair finished to all exposed faces	502	LM		
	<u>Cement and sand (1:4) render</u>				
F	20mm thick plaster to surfaces of columns	353	SM		
	<u>Prepare and apply undercoat and three coats of external quality paint to:</u>				
G	Surfaces of columns	353	SM		
	Total carried to Summary				

ITEM	DESCRIPTION	QTY	UNIT	RATE	AMOUNT
	<u>ELEMENT NO. 3</u>				
	<u>GATES</u>				
	<u>Steel Gate</u>				
A.	Mild steel entry and exit gate size 6000 x 2100 mm high in two equal openable leaves including support wheels and runners comprising 100 x 50 mm rolled hollow section frame all round and cross bracing of 100 x 50 mm RHS middle rail. 50 x 25 mm vertical support bars at 150 mm centre spacing including all hinges, fixing lugs and painting.	6	NO		
	<u>Painting and decoration</u>				
B.	Prepare and apply two undercoats and one coat of gloss oil paint to surface of metal	151	SM		
	Total carried to Summary				

ITEM	DESCRIPTION	QTY	UNIT	RATE	AMOUNT
	<u>SUMMARY OF BOUNDARY WALL</u>				
1	Substructure				
2	Walling				
3	Gates				
	TOTAL FOR BOUNDARY WALL CARRIED TO GRAND SUMMARY				

PUBLIC LATRINES

ITEM	DESCRIPTION	QTY	UNIT	RATE	AMOUNT
	WALL				
	PUBLIC LATRINES ELEMENT NO.1 SUBSTRUCTURES (PROVISIONAL)				
	Site preparation				
A	Clear site of works off grass, shrubs and small trees, grub up their roots and burn debris.	SM	17		
B	"Gladiator TC" or equal approved chemical anti - termite treatment to sub-soil or filling	SM	17		
	Excavation				
C	Excavate for vegetable soil average 200 mm deep: remove from site	SM	17		
D	Excavate to reduce levels not exceeding 1.5 metres deep from stripped level; dispose off as directed.	CM	5		
E	Bulk excavation for pit not exceeding 1.5 metres deep from the reduced level	CM	4		
F	Ditto: Exceeding 1.50 but not 3.0metres deep	CM	4		
G	Ditto: Exceeding 3.00 but not 4.5metres deep	CM	4		
H	Ditto: Exceeding 4.50 but not 6 metres deep	CM	4		
I	Ditto: Exceeding 6.00 but not 7.5 metres deep	CM	4		
J	Extra over all descriptions of excavations and removal from site for breaking up rock	CM	8		
	Disposal of excavated material				
K	Remove surplus spoil from site and deposit in permanent spoil heaps at a site to be agreed with the Local Authority	CM	25		
	Carried forward			Kshs.	

ITEM	DESCRIPTION	QTY	UNIT	RATE	AMOUNT
	<i>Brought forward</i>				
	Planking and strutting				
A	Planking and strutting to sides of all excavations: keep excavations free from all fallen materials	ITEM			
	Disposal of water				
B	Keep excavations free from all water	ITEM			
	Fillings				
C	300mm Thick Crushed hardcore fillings: deposited, spread levelled and compacted in 150 mm layers (Verandah)	SM	11		
D	50 mm Stone dust blinding to surfaces of hardcore	SM	11		
	Insitu mass concrete class 15 (19 mm aggregates): to				
E	50 mm Blinding under strip foundation	SM	10		
	Insitu concrete class 20 (20 mm aggregate): vibrated: reinforced				
F	Ditto: foundations trenches	CM	2		
G	Ditto: Ground Beams	CM	1		
H	150 mm Thick Base slab	SM	17		
	Deformed Steel bars grade60/PNS 415 to B.S. 4449:2005 GR B500B (Provisional)				
I	8 mm Diameter bars	KG	100		
J	10 mm Diameter bars	KG	133		
K	12 mm Diameter bars	KG	100		
	<i>Carried forward</i>			KSHS	

ITEM	DESCRIPTION	QTY	UNIT	RATE	AMOUNT
	<i>Brought forward</i>				
	Mesh fabric reinforcement to B.S. 4483: BRC reference A142 weighing 2.22 kilogrammes per square metre: in				
A	Base floor bed: 200 mm laps	SM	17		
	Sawn formwork: to				
B	Vertical sides: foundations	SM	7		
C	Ditto: Ground Beams	SM	7		
D	Edges of slabs: over 75 but not exceeding 150 mm girth	LM	17		
	Machine cut natural stone walling with a minimum of 7.0 N/mm2 average compressive strength to B.S 5390; bedded and jointed in cement and sand (1:4) mortar ; reinforced with 25 x 3 mm hick hoop iron strips at alternate courses to: -				
E	200 mm thick walls	SM	21		
	<u>Damp proofing Membrane</u>				
F	1000 gauge polythene sheet damp proof membrane: to floors: 300 mm laps	SM	17		
	Plinth				
G	12 mm Woodfloated cement and sand (1:4) render: on concrete or stonework	SM	5		
H	Prepare and apply three coats bituminous paint on rendered plinth	SM	5		
	<i>Carried forward</i>				
				Kshs.	

ITEM	DESCRIPTION	QTY	UNIT	RATE	AMOUNT
	ELEMENT NO.2 REINFORCED CONCRETE SUPERSTRUCTURE				
	<i>Brought forward</i>				
	Insitu concrete class 20 (20 mm aggregate): vibrated: reinforced				
A	Ring beams	CM	1		
	High yield square twisted bar reinforcement to B.S. 4461 (Provisional)				
B	8 mm Diameter bars	KG	50		
C	10 mm Diameter bars	KG	50		
	Sawn formwork: to				
D	Sides and soffits: ring beams	SM	7		
	<u>WALLS</u>				
	<u>EXTERNAL WALLS</u>				
	Machine cut natural stone walling with a minimum of 7.0 N/mm2 average compesive strength to B.S 5390; bedded and jointed in cement and sand (1:4) mortar ; reinforced with 25 x 3 mm hick hoop iron strips at alternate courses to: -				
E	200 mm Thick walls	SM	51		
	<u>INTERNAL WALLS</u>				
F	100 mm Thick Walls: ditto	SM	30		
	Damp - proof course: bituminous felt: bedded in cement and sand (1:3) mortar: 300 mm laps				
G	Horizontal: 200 mm wide	LM	27		
	<i>Carried forward</i>				
				Kshs.	

ITEM	DESCRIPTION	QTY	UNIT	RATE	AMOUNT
	<u>ELEMENT NO. 3</u>				
	<u>ROOFING (PROVISIONAL)</u>				
	<i>Brought forward</i>				
	Gauge 30 prepainted Dumu ZAZ roofing sheets as manufactured by Mabati Rolling Mills or other equal and approved source; with and including bolting and all labours of hoisting 2800mm above finished floor level as described in:-				
A	Roofing sheets laid with minimum 75mm side laps and 150mm end laps nailed to timber purlins including rubber washers to match.	SM	19		
	Structural timbers: sawn cypress: celcure treated: with and including hoisting to roof level				
B	100 x 50 mm Wall plate	LM	17		
C	100 x 50 mm Purlins	LM	32		
	Wrot prime grade podu as described in:-				
D	Ex 250 x 38mm fascia and Verge boards fixed to roof structure	LM	20		
	Painting and Decorating				
	Prepare, knot, prime, stop and apply three coats gloss oil paint from approved source to:				
E	Surface of fascia boards, 200-300mm girth.	LM	20		
	<i>Carried forward</i>				
				Kshs.	

ITEM	DESCRIPTION	QTY	UNIT	RATE	AMOUNT
	<i>Brought forward</i>				
	<u>ELEMENT NO. 4</u>				
	<u>FINISHES</u>				
	<u>FLOOR FINISHES</u>				
	12 mm Cement and sand (1:4) backing on:				
A	Floors to receive tiles	SM	2		
B	Walls to receive wall tiles	SM	7		
	300 x 250 x 8 mm non slip ceramic floor tiles as manufactured by "SAJ" or equal or approved				
C	Floor	SM	2		
	300 x 250 x 8 mm Coloured glazed ceramic wall tiles as manufactured by "SAJ" or equal or approved:				
D	Walls	SM	7		
	<u>EXTERNAL WALL FINISHES</u>				
	Horizontal pointing to external masonry wall surfaces				
F	Walls	SM	51		
	Prepare and apply two undercoats; Two coats first grade crown matt emulsion with teflon surface protector or other equal and approved manufacturer				
G	Rendered beam surfaces	SM	4		
	<i>Carried forward</i>				
				Kshs.	

ITEM	DESCRIPTION	QTY	UNIT	RATE	AMOUNT
	INTERNAL WALL FINISHES				
	<i>Brought forward</i>				
	12 mm Thick lime plaster: steel trowelled: on concrete or blockwork: to				
A	Walls	SM	60		
	Prepare and apply three coats first grade plastic emulsion paint: on plaster: to				
B	Walls	SM	60		
	<i>Carried forward</i>				
				Kshs.	

ITEM	DESCRIPTION	QTY	UNIT	RATE	AMOUNT
	<i>Brought forward</i>				
	<u>ELEMENT NO. 5</u>				
	<u>STEEL WINDOWS</u>				
	Supply, assemble and fix the following purpose made mild steel windows: Fabricated from 32 x 2.5 mm Z and I sections: 16mm diameter horizontal bars at 150 mm centers and 16mm diameter vertical bars at 200mm centers complete with all the necessary coupling mullions and transoms: One coat red oxide primer before erection: building in lugs to jambs , plugging and screwing to head and cill: bedding all round in cement mortar, pointing one side in mastic : oiling easing and adjusting: ironmongery				
A	Window size 600 x 600 mm high : overall: comprising of 1 No. fixed panels size 300 x 300 mm high and 1No. Top hung openable panels size 300 x 300 mm high:	NO	4		
	5mm Thick obscure sheet glass and glazing to metal with putty				
B	In panes over 0.1 but not exceeding 0.5 square metres	SM	1		
	<i>Carried forward</i>				
				Kshs.	

ITEM	DESCRIPTION	QTY	UNIT	RATE	AMOUNT
	<i>Brought forward</i>				
	Precast concrete units class 20 (19 mm aggregates): vibrated: reinforced with 2 No. 6 mm diameter steel bars				
A	265 x 75 mm Thick weathered and throated window cill: fairfaced on exposed surfaces: bedded jointed and pointed in cement and sand (1:4) mortar	LM	2		
	Prepare, touch up primer and apply three coats first grade gloss oil paint: on metal: to				
B	General surfaces: steel windows (measured flat overall)	SM	1		
	<u>ELEMENT NO. 6</u> <u>DOORS</u>				
	Flush doors to B.S. 459 part 2				
C	45 mm Thick Solid cored door size 900 x 2100 mm high: cypress veneered both sides: hardwood lipped edges	NO	3		
	Frames and linings: mahogany or equal approved hardwood: selected and kept clean				
D	100 x 50 mm Frames: Two labours: plugged	LM	15		
E	20 x 40 mm Architrave: screwed and pelltated	LM	15		
F	20 x 20 mm Quadrant beading: one labour: ditto	LM	15		
	<i>Carried forward</i>				
				KSHS	

ITEM	DESCRIPTION	QTY	UNIT	RATE	AMOUNT
	<i>Brought forward</i>				
	Supply and fix the following ironmongery to timber complete with matching screws and keys as per 'UNION' manufacturers (reference to a particular catalogue are given as a guide to type and quality only, other equal and approved alternatives may be used)				
E	150 mm Double brass butt heavy duty hinges: with brass pin and screws	PRS	5		
H	150 mm Flush bolts: "UNION" 8052	NO	3		
	Prepare and apply one coat aluminium wood primer: before fixing: on wood: to				
A	Surfaces not exceeding 100 mm girth	LM	30		
B	Ditto: over 100 but not exceeding 200 mm girth	LM	15		
	Prepare and apply three coats polyurethane clear varnish: on wood: to				
C	Doors: general surfaces	SM	11		
D	Frames: over 100 but not exceeding 200 mm girth	LM	15		
E	Architraves: not exceeding 100 mm girth	LM	15		
F	Quadrant beading : not exceeding 100 mm girth	LM	15		
	<i>Carried forward</i>				
				Kshs.	

ITEM	DESCRIPTION	QTY	UNIT	RATE	AMOUNT
	<i>Brought forward</i>				
	<u>ELEMENT NO. 7</u>				
	<u>MECHANICAL SERVICES</u>				
	<u>SANITARY FITTINGS</u>				
	Supply, assemble and install the following sanitary fittings including all the necessary joints to services, overflow and waste pipes jointing materials, mortices, plugs, screws, bolts and making good as described and shown on the drawings: -				
A	Twyfords "ADVENT" wash hand basin size 580 x 375mm with PEDESTAL comprising the following components:- Basin with one taphole and Pedestal , Chrome push tap, chrome plated chain waste, bottle trap and fixing accessories.	NO	2		
	TOTAL FOR PUBLIC LATRINES			Kshs.	

PROVISIONAL AND PRIME COST SUMS

ITEM	DESCRIPTION	QTY	UNIT	RATE	AMOUNT
<u>PROPOSED CONSTRUCTION OF GITHONGO STADIUM BOUNDARY WALL</u>					
<u>P.C. AND PROVISIONAL SUMS</u>					
<u>Electrical Installations</u>					
A.	Provide the P.C. Sum of Kenya Shillings Five Hundred Thousand (Kshs. 500,000.00) only for Electrical Installations.		SUM		500,000.00
<u>Levelling</u>					
B	Allow for a Provisional Sum of Kenya Shillings Seven Hundred Thousand (Kshs. 700,000.00) only for levelling.		SUM		700,000.00
<u>Project Management</u>					
C	Allow for a Provisional Sum of Kenya Shillings Three Hundred Thousand (Kshs. 300,000.00) only for project management.		SUM		300,000.00
<u>Contingency</u>					
D	Allow for Contingency Sum of Kenya Shillings One Million Only (Kshs. 1,000,000.00) only.		SUM		1,000,000.00
TOTAL FOR P.C. AND PROVISIONAL SUMS CARRIED TO GRAND SUMMARY					2,500,000.00
PCPS/1					

GRAND SUMMARY

BILL NO.	DESCRIPTION	PAGE	CONTRACT OR SHS. CTS.	OFFICIAL SHS. CTS.
	<u>PROPOSED CONSTRUCTION OF GITHONGO STADIUM BOUNDARY WALL</u>			
	<u>GRAND SUMMARY</u>			
1	Particular Preliminaries			
2	General Preliminaries			
3	Trade Preambles and Pricing Notes			
4	Builder's Work : <ul style="list-style-type: none"> • BOUNDARY WALL • PUBLIC LATRINES 			
5	P. C. and Provisional Sums	PCPS/1		2,500,000.00
TOTAL ESTIMATE FOR BUILDER'S WORKS CARRIED TO FORM OF TENDER				

CONTRACTOR
.....
Signature Address

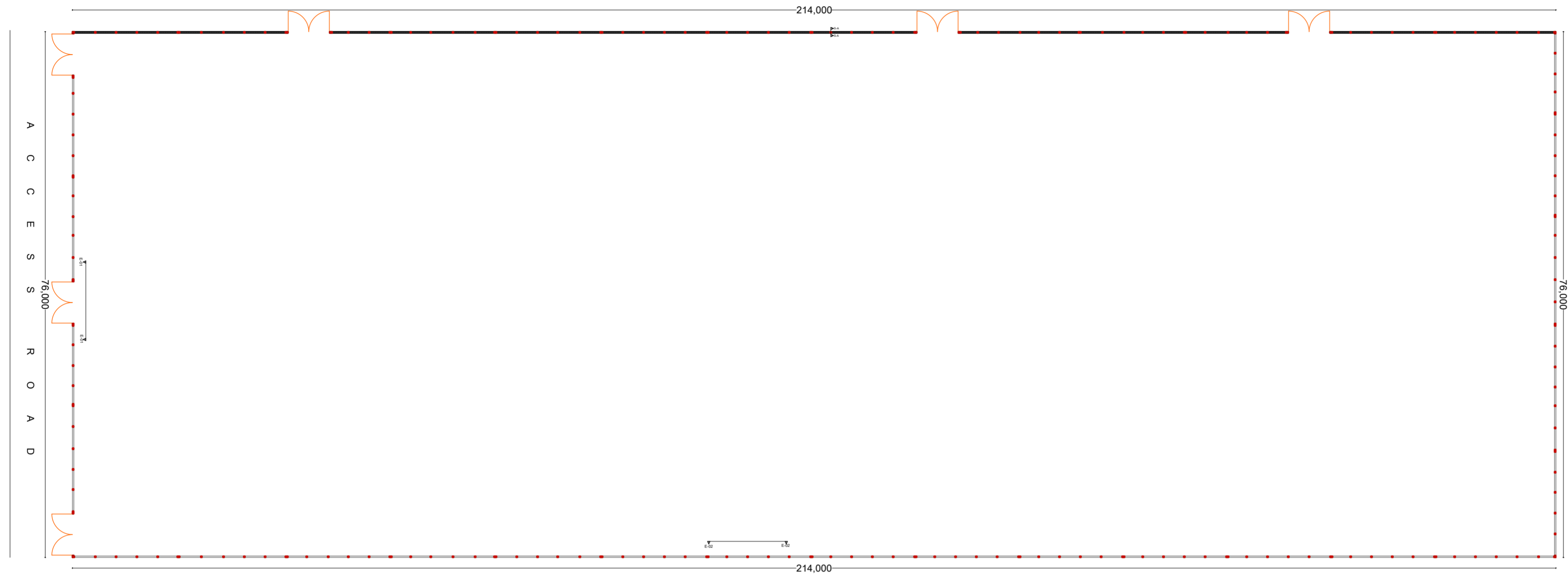
Official stamp.....

EMPLOYER
Name of Employer

Signature Address

Official stamp.....

GS/1



STADIUM LAYOUT PLAN
SCALE 1:500

NOTES:

1. All dimensions are in mm unless otherwise stated.
2. All levels & dimensions to be checked on site before any construction work starts and any discrepancy referred to the architect immediately.
3. Foundation depth to be determined on site.
4. All structural specifications to be provided by the engineer.
5. Provide dump proof course under all walls.
6. Plumbing and drainage works to M.O.H satisfaction, all pipes to be p.v.c or u.p.v.c and cast in 150mm thick concrete under building and drive way or to be of cast.
7. Do not scale off the drawings.
8. All walls less than 200mm thick to be reinforced with hoop iron at every alternate course.
9. All Inspection Chambers along drive-way should have quality heavy duty covers.
10. Reserve 10,000lts. of water tank with automatic booster pump.
11. All works to be strictly carried out in accordance to standard specifications and relevant notes.

REVISIONS:

Date	Description	Sign

PROJECT:

PROPOSED FENCING OF
GITHONGO STADIUM

CLIENT:

DEPARTMENT OF
CULTURE, GENDER,
YOUTH, SPORTS & SOCIAL
SERVICES

DRAWING TYPE:

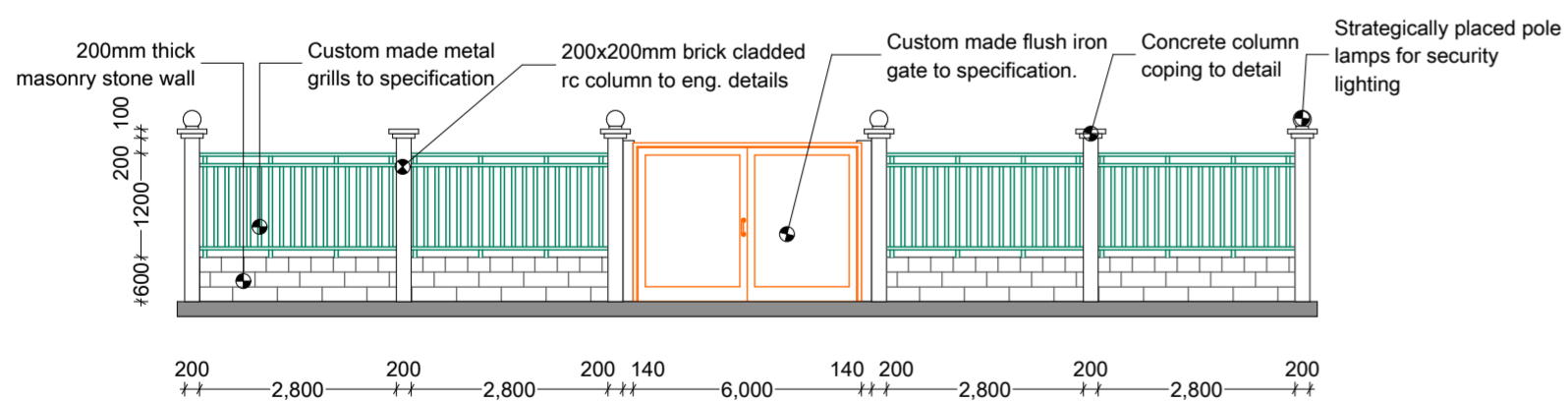
PRODUCTION DRAWINGS:
LAYOUT PLANS, SECTIONS
AND ELEVATIONS

SCALE: 1:500, 100, 50

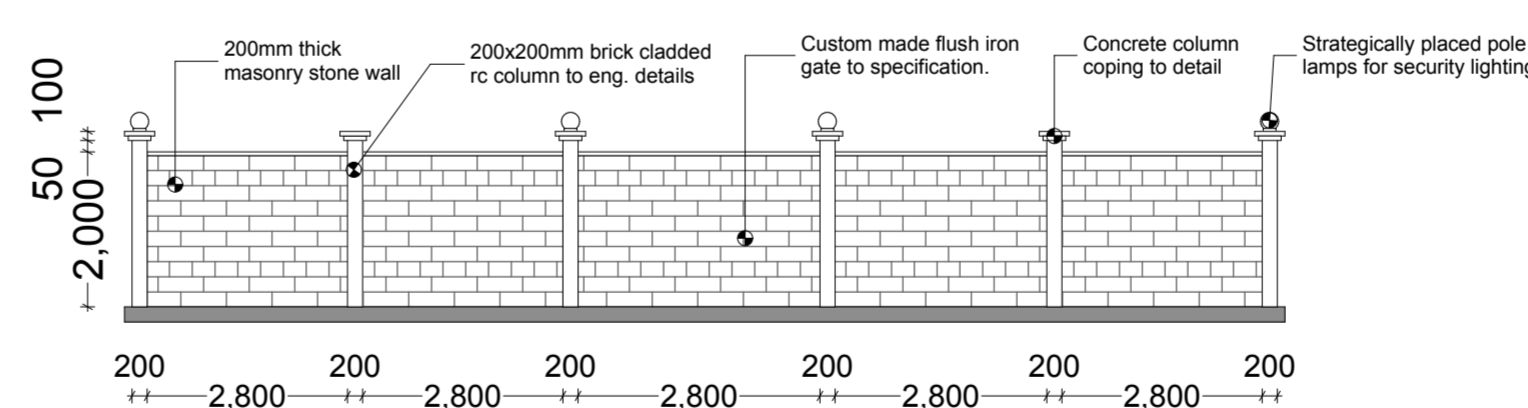
DATE: OCT 2016

DRAWN BY: SMM

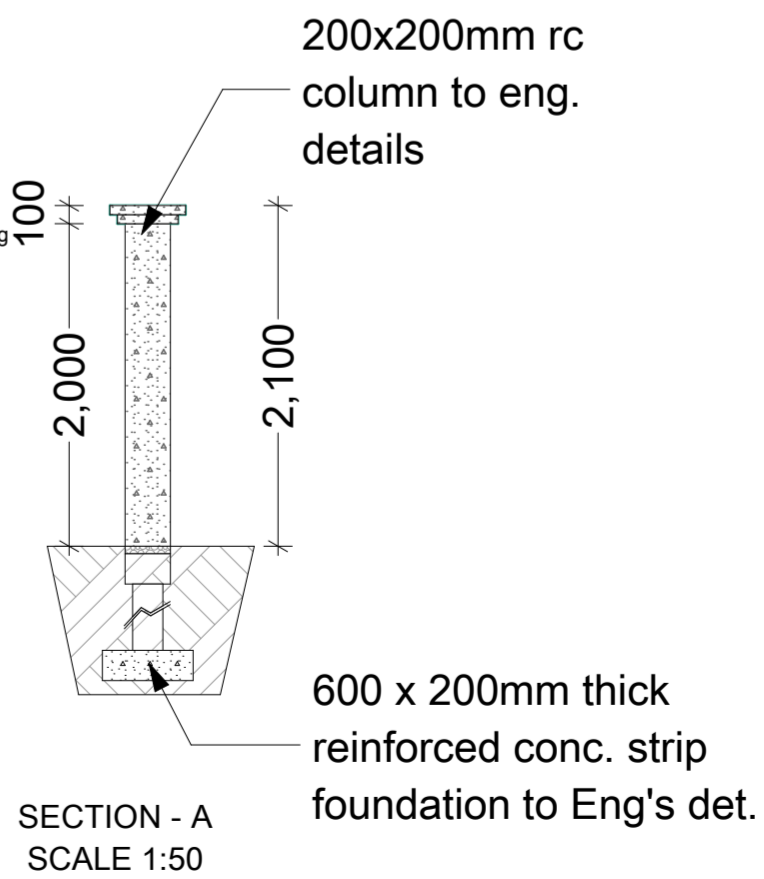
CHECKED BY:



ELEVATION - 01
SCALE 1:100



ELEVATION - 02
SCALE 1:100



SECTION - A
SCALE 1:50